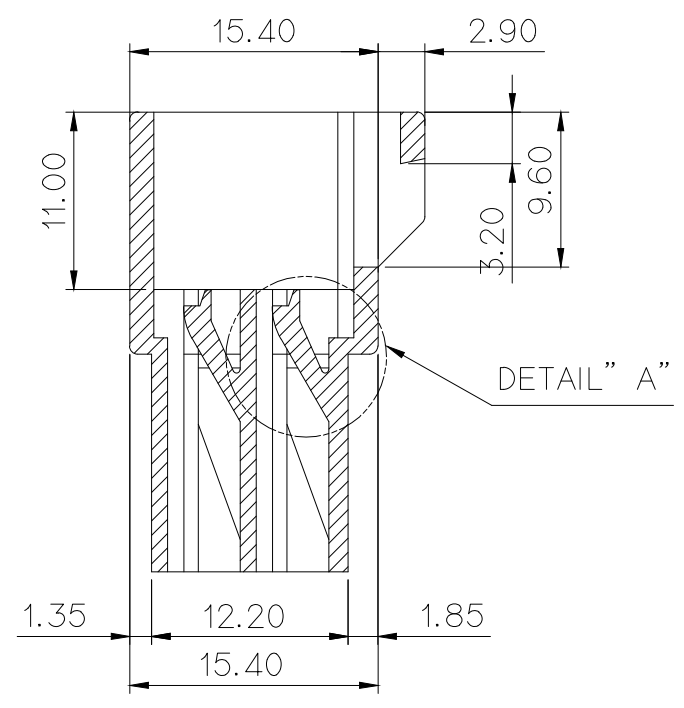
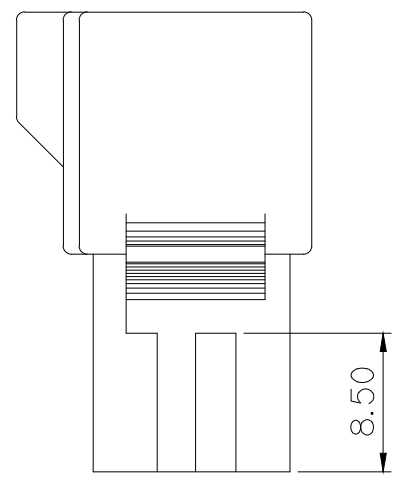
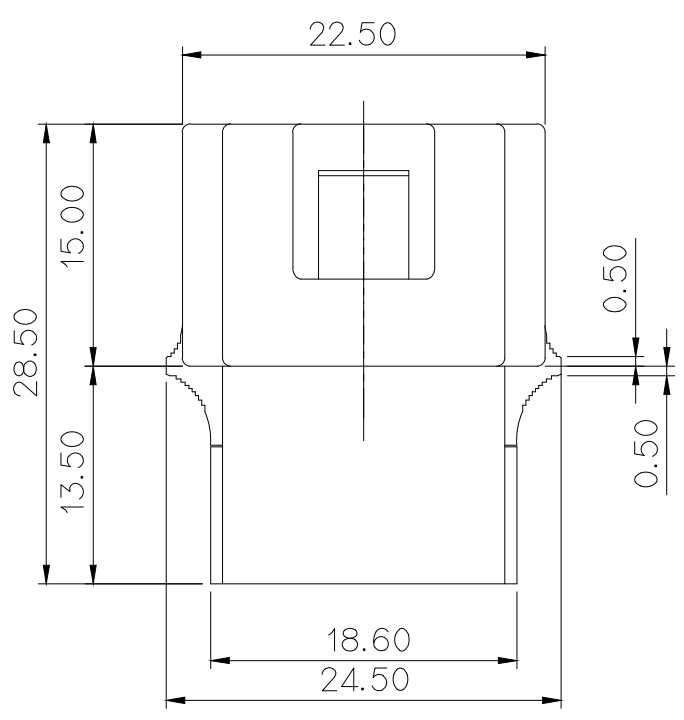
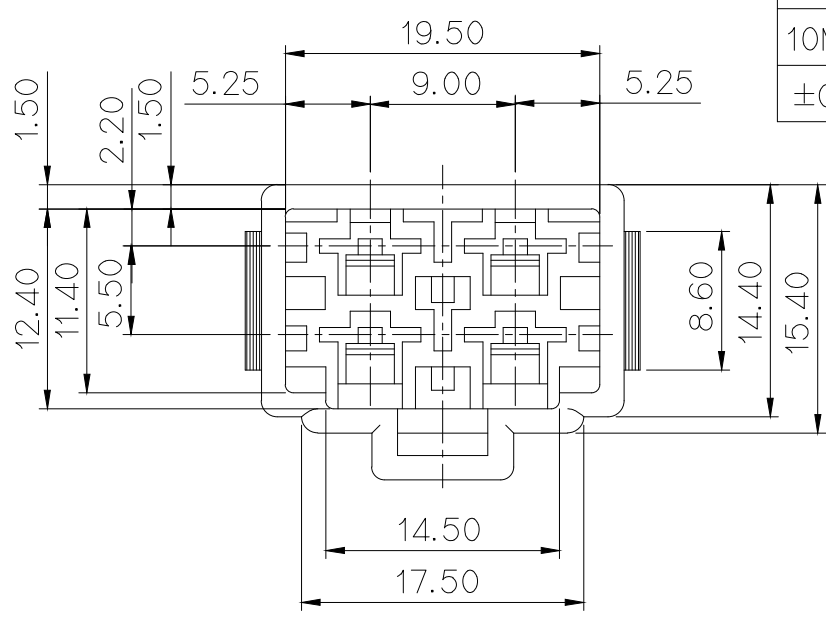
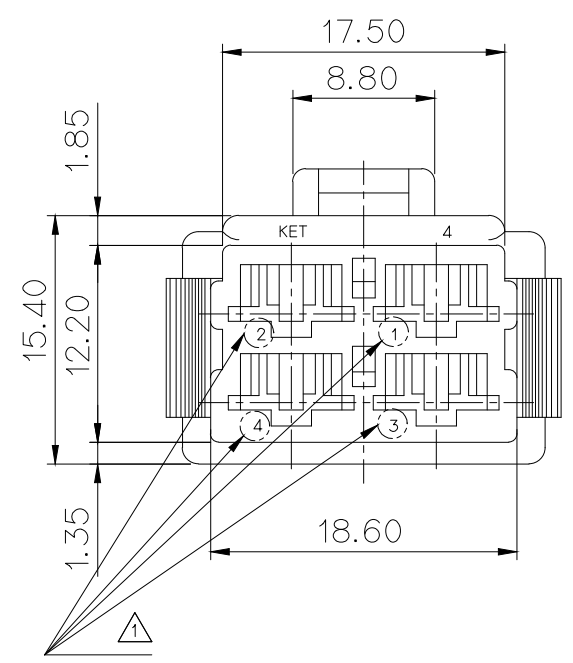


LOCK부 상세도 "A" (5/1)



DETAIL "A"



GENERAL TOLERANCE (HOUSING)									USED ON
10MAX	30MAX	50MAX	70MAX	100MAX	120MAX	250MAX	250VR	ANGLE	MG 610047
±0.15	±0.20	±0.30	±0.40	±0.50	±0.75	±0.9	±1.4	±30'	

NOTE

1. APPLICABLE TERMINAL NO. : ST740253
2. TERMINAL RETENTION FORCE: (LANCE MIN 8kgf),
3. 6 HAZARDOUS SUBSTANCES IN PARTS (LEAD, MERCURY, CADMIUM, HEXAVALENT CHROMIUM, PBDEs) SHALL NOT EXCEED THE MAXIMUM PERMISSIBLE CONCENTRATION PRESCRIBED UNDER EU ELV DIRECTIVE.

NO.	MATERIAL	COLOR
* 0	NYLON	NATURAL
1		RED
2		BLUE
3		YELLOW
4		GRAY
* 5		BLACK
6		W/GREEN
7		BROWN
8	GREEN	

주 기

1. 적용 TER,M은 ST740253외 동일 SERIES.
2. TER'M 고착력은 Δ 8kgf 이상일 것.
3. 제품내 함유된 6대 유해물질 (납, 수은, 카드뮴, 6가 크롬, PBBs, PBDEs)은 EU ELV 지침 및 RoHS 법규에서 지정한 최대 허용 농도를 초과해서는 안된다.

APPROVED

2018-12-10

KOREA ELECTRIC TERMINAL CO., LTD.
Korea Electric Terminal Co., LTD.

ISSUE MARK

		MATERIAL		SEE TABLE	KET KOREA ELECTRIC ENGINEERED TERMINAL CO., LTD.
		FINISH		SEE TABLE	
		WIRE RANGE		CLASS	
		INSULATION		TYPE	7122-2845
LTR	REVISION RECORD	DR.	CHK.	APP.	DATE
DR. 박	, 89.10.30	CHK. JJH			11.12
CHK. KCC		APP. Watanabe			
		TOLERANCE EXCEPT AS NOTED		±0.3	SCALE 2/1
		PART NAME		.250 REC. HS'G 4P	
		PART NO.		MG 620046	