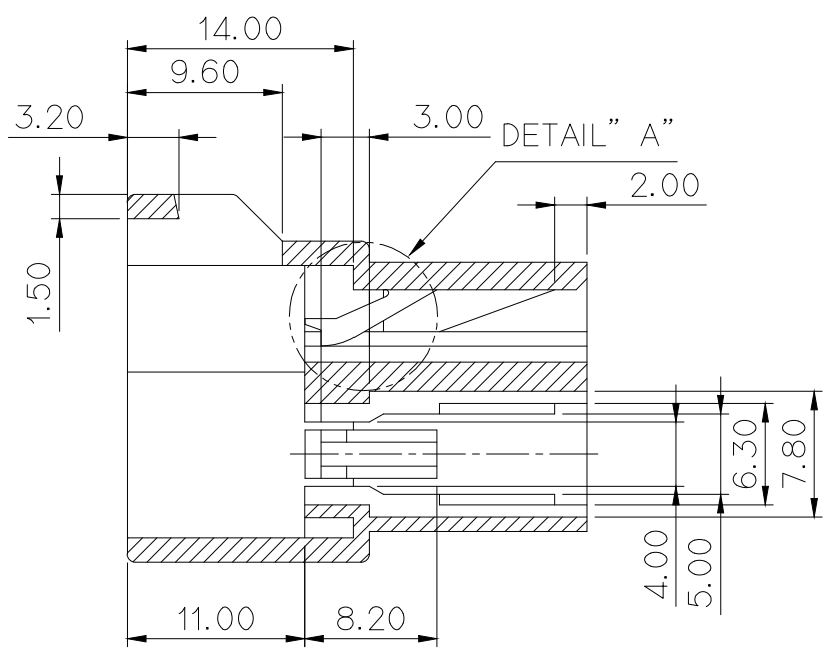
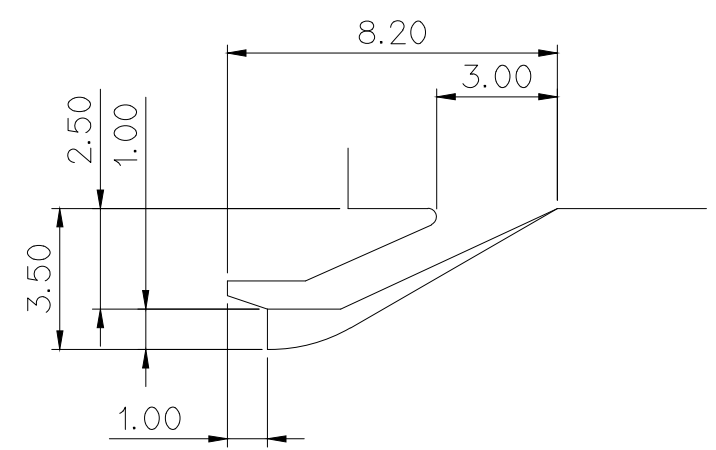
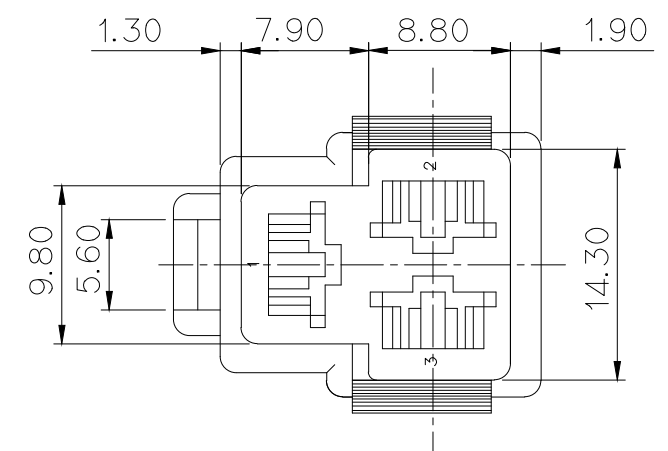
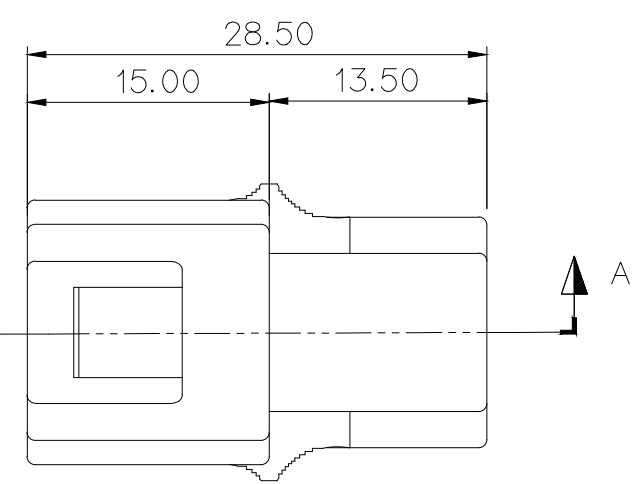
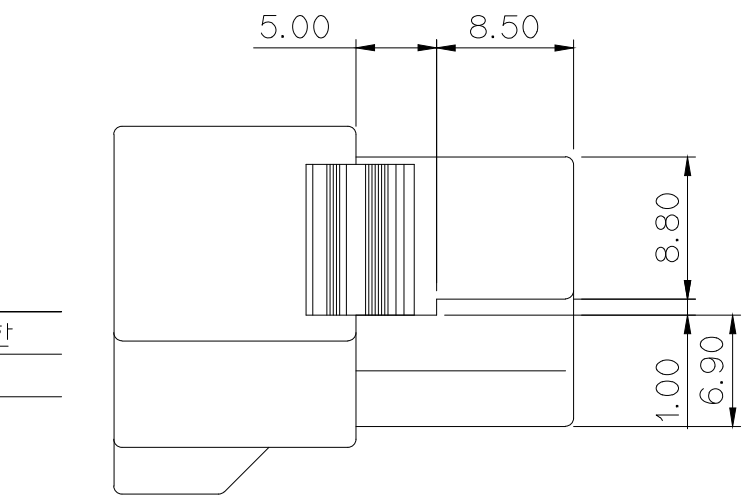
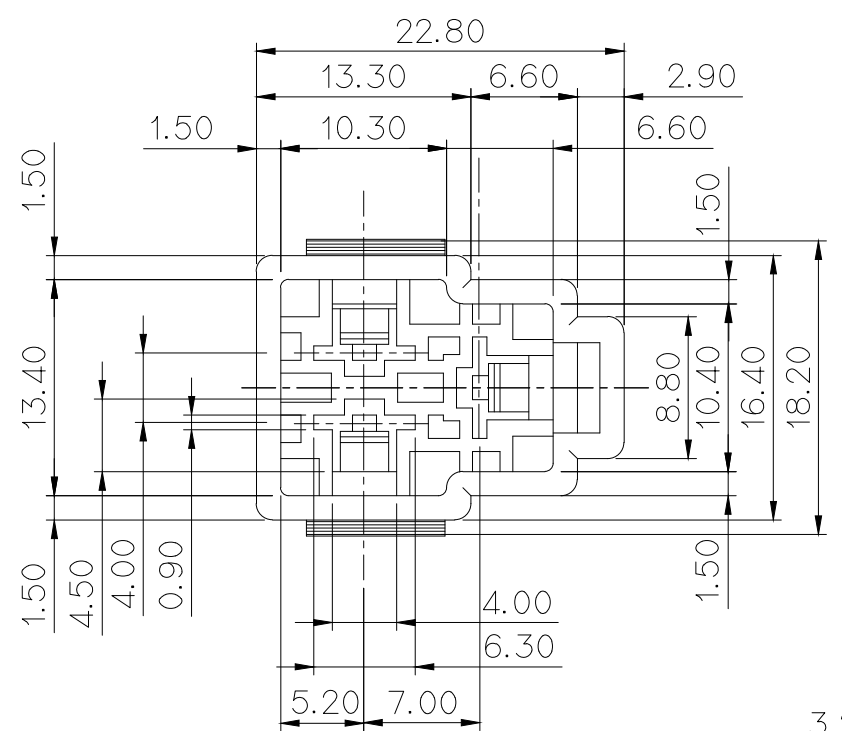


주 기

1. 기능상 유해한 BURR, 및 변형등이 없을것.
2. 적용 TERM'; ST740253, 254, 255
3. 적용 HOUSING ; MG610045, 630677
4. 제품내 함유된 6대 유해물질 (납, 수은, 카드뮴, 6가 크롬, PBBs, PBDEs)은 EU ELV 지침 및 RoHS 법규에서 지정한 최대 허용 농도를 초과해서는 안된다.

GENERAL TOLERANCE (HOUSING)							USED ON
10MAX	50MAX	100MAX	250MAX	250VR	ANGLE	ECCENT	
±0.2	±0.3	±0.55	±0.95	±1.4	±30'	0.1	



DETAIL "A"
(S=5/1)

SECTION A-A

NO.	MATERIAL	COLOR
0		NATURAL
1	△ NYLON	RED
2	<MG620044>	BLUE
3		YELLOW
40	△ PBT	DARK GRAY
41	<MG622025>	LIGHT GRAY
5		BLACK
6		DARK GREEN
7		BROWN
8		LIGHT GREEN
9		MAGENTA
11		ORANGE

NOTE

1. MUST BE FREE OF FLASH, SINK AND IMPERFECTION THAT AFFECT FUNCTION.
2. APPLICABLE TERMINAL : ST740253, 254, 255
3. APPLICABLE HOUSING : MG610045, 630677
4. 6 HAZARDOUS SUBSTANCES IN PARTS (LEAD, MERCURY, CADMIUM, HEXAVALENT CHROMIUM, PBDEs) SHALL NOT EXCEED THE MAXIMUM PERMISSIBLE CONCENTRATION PRESCRIBED UNDER EU ELV DIRECTIVE.

APPROVED

2018-12-10

KOREA ELECTRIC
TERMINAL CO., LTD.
Korea Electric Terminal Co., LTD.

ISSUE MARK

					MATERIAL	SEE TABLE	KOREA ELECTRIC TERMINAL CO., LTD.
					FINISH	SEE TABLE	
					WIRE RANGE		CLASS
					INSULATION		TYPE HSG LOCKING
△	원재료 및 PART NO.추가				TOLERANCE EXCEPT AS NOTED	±0.3	SCALE 2/1
△	HOLE NO 삽입				DR.		PART NO. MG620044
LTR	REVISION RECORD	DR.	CHK.	APP.	DATE		△ MG622025
DR.		CHK.					PART NAME
CHK.	JWK	APP.	Watanabe				250 REC HSG 3P