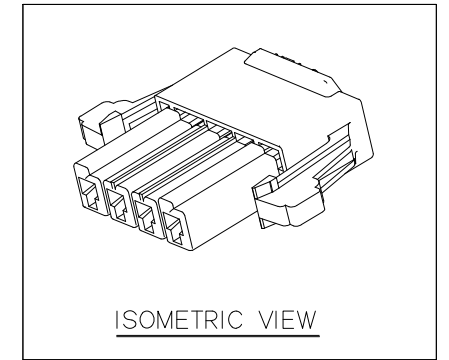


GENERAL TOLERANCE (HOUSING)					USED ON
10MAX	50MAX	100MAX	100VR	( )	
±0.25	±0.35	±0.55	±0.95	±0.1	



주 기

- 1.지시하지 않은 반경 R은 0.2~0.3로 한다.
- 2.기능상 유해한 BURR 및 WELDLINE 등이 없을 것.
- 3.적용 TERMINAL: ST731307-3/1324-3  
적용 REAR HOLDER: MG635483-2
- 5.제품내 함유된 6대 유해물질 (납,수은,카드뮴,6가크롬, PBBs,PBDEs)은 EU ELV 지침 및 RoHS 법규에서 지정한 최대 허용 농도를 초과해서는 안된다.

NOTE

1. UNLESS OTHERWISE SPECIFIED ALL RADIUS TO BE 0.2~0.3 RADIUS.
2. MUST BE FREE OF BURR, WELD LINE AND IMPERFECTION THAT AFFECT FUNCTION.
3. APPLICABLE TERMINAL : ST731307-3/1324-3  
APPLICABLE REAR HOLDER : MG635483-2
5. 6 HAZARDOUS SUBSTANCES IN PARTS (LEAD, MERCURY, CADMIUM, HEXAVALENT CHROMIUM, PBBs, PBDEs) SHALL NOT EXCEED THE MAXIMUM PERMISSIBLE CONCENTRATION PRESCRIBED UNDER EU ELV DIRECTIVE & RoHS REGULATION.

PART NO. \*표시는 색상 표기 임.

NO.	COLOR
0	NATURAL
1	RED
2	BLUE
3	YELLOW
5	BLACK
6	GREEN



ISSUE MARK

					MATERIAL	PET+PC(G.W.I.T)	KOREA ELECTRIC TERMINAL CO., LTD.
					FINISH	SEE TABLE	
					WIRE RANGE	CLASS	060
					INSULATION	TYPE	
△	ECO-1171-145 근거 도면 제작성	LCM	KSH	BUC	'17.11.13		
LTR	REVISION RECORD	DR.	CHK.	APP.	DATE	TOLERANCE EXCEPT AS NOTED	PART NO.
DR.	LCM '11.04.25	CHK.	KSH '11.04.25	APP.		SCALE	MG615482T-*04
CHK.		APP.				PART NAME	
					NEW 060 4P HS'G		