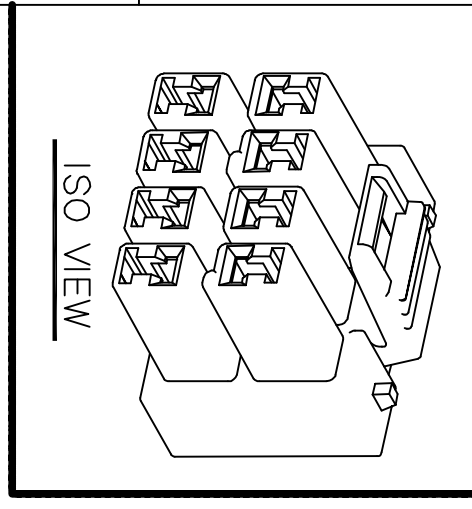


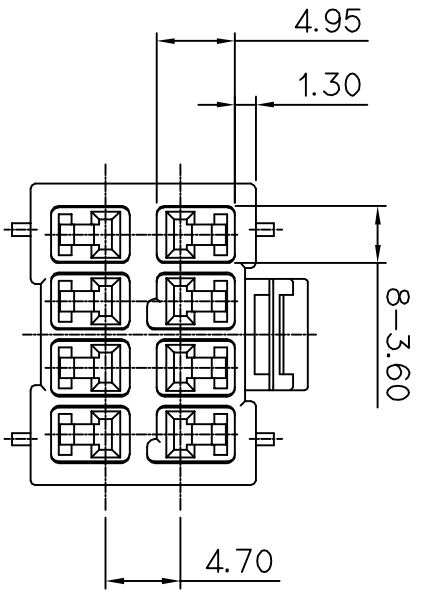
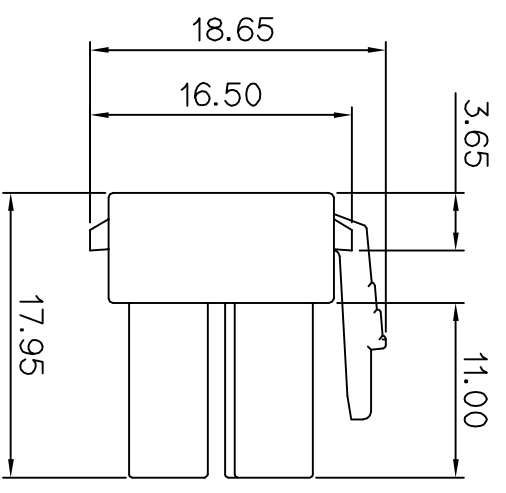
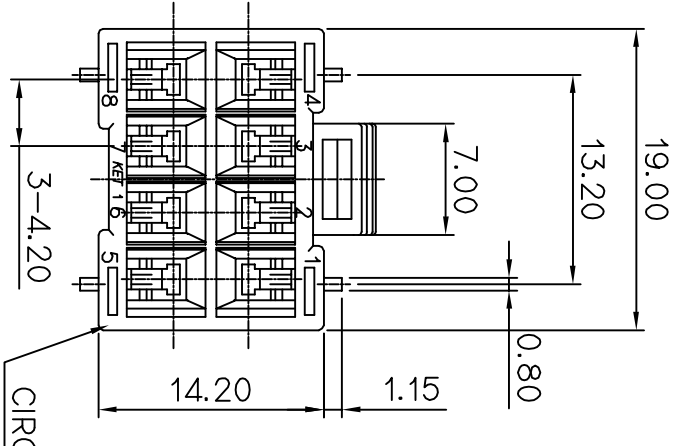
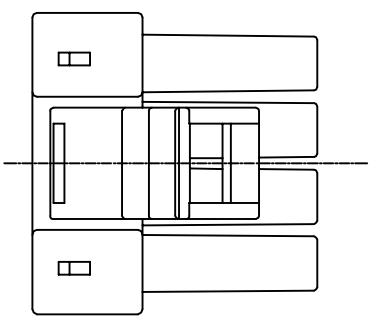
GENERAL TOLERANCE (HOUSING)								USED ON
10 MAX	50 MAX	100 MAX	250 MAX	250 VR	ANGLE	ECCENT		
±0.2	±0.3	±0.55	±0.95	±1.4	±30°	0.1		

PART NO.
△MG614162, MG614814



CUSTOMER DRAWING

DIMENSIONS IN MM



- 주 기
- 1.지시하지 않은 반경 R은 0.3로 한다
 - 2.지시하지 않은 모따기 C는 0.5으로 한다.
 - 3.기능상 유해한 BURR 및 WELDLINE등이 없을것.
 - 4.적용 HOUSING : MG624163, MG624210
 - 적용 R/HOLDER : MG634164
 - 적용 FEMALE TERMINAL : ST731081, 731082, 731083
 - 5.KET 문자 : 기울기 15°(H); 0.1~0.2, SIZE: 2.0)
 - CAVITY NO.: 기울기 0°(H); 0.1~0.2, SIZE: 2.0)
 6. 제품내 함유된 6대 유해물질 (납,수은,카드뮴,6가크롬,PBBs,PBDEs)은 EU ELV 지침 및 RoHS 법규에서 지정한 최대 허용 농도를 초과해서는 안된다.

- NOTE
1. UNLESS OTHERWISE SPECIFIED ALL RADIUS TO BE 0.3 RADIUS.
 2. UNLESS OTHERWISE SPECIFIED ALL CHAMFERS TO BE 0.5 CHAMFER.
 3. MUST BE FREE OF FLASH, SINK AND IMPERFECTION THAT AFFECT FUNCTION.
 4. APPLICABLE HOUSING : MG624163, MG624210
 - APPLICABLE R/HOLDER : MG634164
 - APPLICABLE FEMALE TERMINAL : ST731081, 731082, 731083
 5. KET MARK : TAPER 15° (H); 0.1~0.2, SIZE: 2.0)
 - CAVITY NO. : TAPER 0°(H); 0.1~0.2, SIZE: 2.0)
 6. 6 HAZARDOUS SUBSTANCES IN PARTS (LEAD,MERCURY, CADMIUM,HEXAVALENT CHROMIUM,PBBs,PBDEs) SHALL NOT EXCEED THE MAXIMUM PERMISSIBLE CONCENTRATION

ISSUE MARK

△△	PART NO.	MATERIAL
	MG614162	PET+PC(GWIT)
	MG614814	PBT(V0)

LTR		REVISION RECORD		MATERIAL		SEE TABLE
DR.	CJH	2008.01.30	CHK. Hdk	1/30	FINISH	NATURAL
CHK.			APP. <i>[Signature]</i>	1/30	WIRE RANGE	
				INSULATION		CLASS
				SCALE		2/1
				PART NO.		△MG614162, MG614814
				PART NAME		NEW 060 8F HSG

KIET KOREA ELECTRIC
ENGINEERED
TERMINAL CO., LTD.