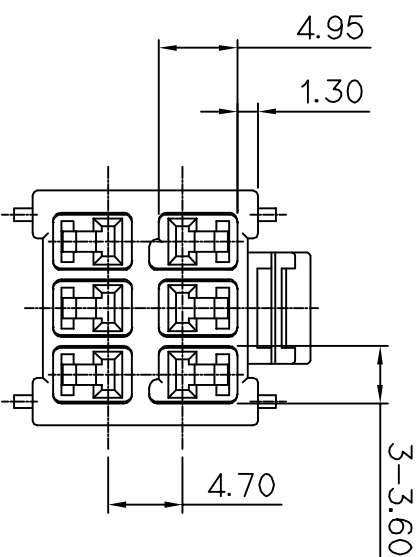
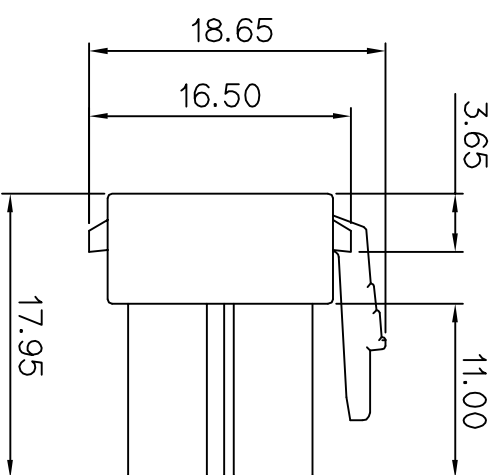
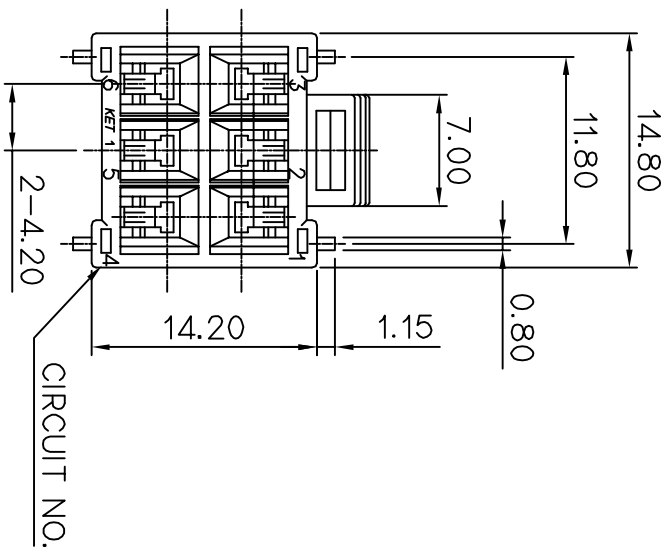
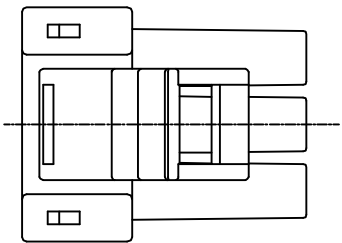


ISO VIEW



$\Delta$ / $\Delta$	PART NO.	MATERIAL
	MG614160	PET+PC(GWIT)
	MG614812	PBT(V0)

GENERAL TOLERANCE (HOUSING)						USED ON
10 MAX	50 MAX	100 MAX	250 MAX	250 VR	ANGLE	ECCENT
$\pm 0.2$	$\pm 0.3$	$\pm 0.55$	$\pm 0.95$	$\pm 1.4$	$\pm 30'$	0.1

주 기

1. 지시하지 않은 반경 R은 0.3로 한다
2. 지시하지 않은 모따기 C는 0.5으로 한다.
3. 기능상 유해한 BURR 및 WELDLINE등이 없을것.
4. 적용 HOUSING : MG624161, MG624209
- 적용 R/HOLDER : MG634165
- 적용 FEMALE TERMINAL : ST731081, 731082, 731083
5. KET 문자 : 기울기 15°(H; 0.1~0.2, SIZE: 2.0)
- CAVITY NO.: 기울기 0°(H; 0.1~0.2, SIZE: 2.0)
6. 제품내 함유된 6대 유해물질 (납,수은,카드뮴,6가크롬,PBBs,PBDEs)은 EU ELV 지침 및 RoHS 법규에서 지정한 최대 허용 농도를 초과해서는 안된다.

NOTE

1. UNLESS OTHERWISE SPECIFIED ALL RADIUS TO BE 0.3 RADIUS.
2. UNLESS OTHERWISE SPECIFIED ALL CHAMFERS TO BE 0.5 CHAMFER.
3. MUST BE FREE OF FLASH, SINK AND IMPERFECTION THAT AFFECT FUNCTION.
4. APPLICABLE HOUSING : MG624161, MG624209
- APPLICABLE R/HOLDER : MG634165
- APPLICABLE FEMALE TERMINAL : ST731081, 731082, 731083
5. KET MARK : TAPER 15° (H; 0.1~0.2, SIZE: 2.0)
- CAVITY NO. : TAPER 0°(H; 0.1~0.2, SIZE: 2.0)
6. 6 HAZARDOUS SUBSTANCES IN PARTS (LEAD, MERCURY, CADMIUM, HEXAVALENT CHROMIUM, PBBs, PBDEs) SHALL NOT EXCEED THE MAXIMUM PERMISSIBLE CONCENTRATION

ISSUE MARK

**KET** KOREA ELECTRIC  
ENGINEERED  
TERMINAL CO., LTD.

MATERIAL		SEE TABLE		WIRE RANGE		CLASS	
FINISH		NATURAL		INSULATION		TYPE	
LTR		REVISION RECORD		DR. CHK. APP. DATE		TOLERANCE AS NOTED	
DR. CJH 2008.02.18		CHK. Hdk 2/18		APP.  2/18		SCALE 2/1	
CHK.		APP.		DATE		PART NO. $\Delta$ MG614160, MG614812	
						PART NAME NEW 060 6F HSG	