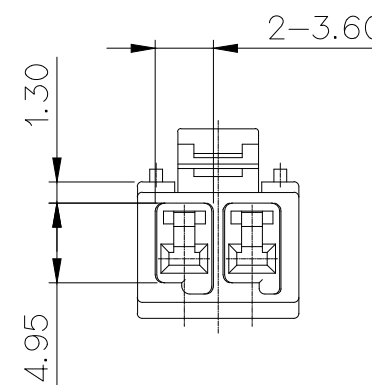
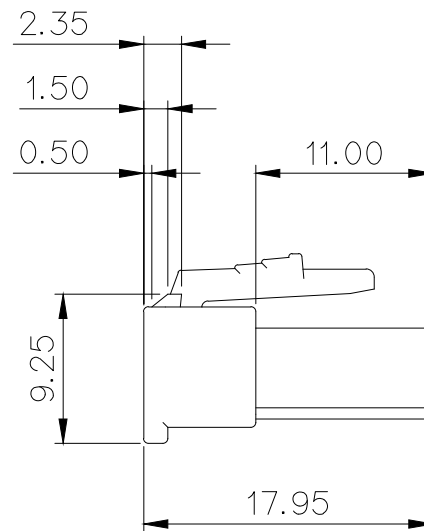
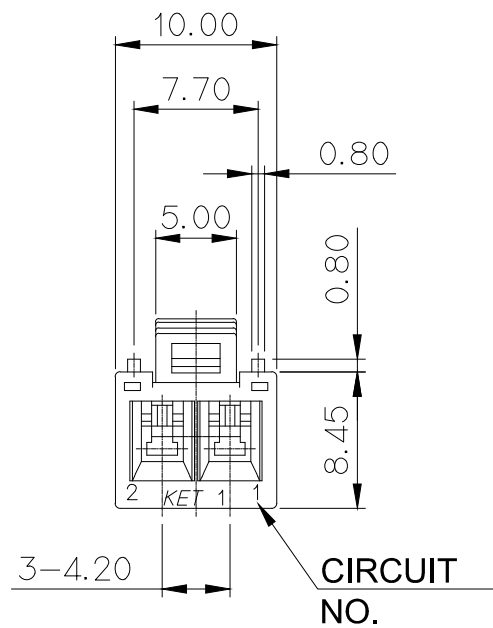
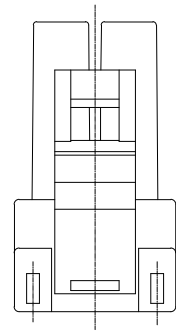


주 기

1. 지시하지 않은 반경 R은 0.3로 한다
2. 지시하지 않은 모따기 C는 0.5으로 한다.
3. 기능상 유해한 BURR 및 WELDLINE등이 없을것.
4. 적용 HOUSING : MG624537, MG624540
적용 R/HOLDER : MG634487
적용 FEMALE TERMINAL : ST731081, 731082, 731083
- △ 5. 제품 내 함유된 10대 유해물질 (납, 수은, 카드뮴, 6가 크롬 PBBs, PBDEs, DEHP, DBP, BBP, DIBP)은 EU ELV 지침 및 RoHS 법규에서 지정한 최대 허용농도를 초과해서는 안 된다.



GENERAL TOLERANCE (HOUSING)							USED ON
10 MAX	50 MAX	100 MAX	250 MAX	250 VR	ANGLE	ECCENT	
±0.2	±0.3	±0.55	±0.95	±1.4	±30'	0.1	

NOTE

1. UNLESS OTHERWISE SPECIFIED ALL RADIUS TO BE 0.3 RADIUS.
2. UNLESS OTHERWISE SPECIFIED ALL CHAMFERS TO BE 0.5 CHAMFER.
3. MUST BE FREE OF FLASH, SINK AND IMPERFECTION THAT AFFECT FUNCTION.
4. APPLICABLE HOUSING : MG624537, MG624540
APPLICABLE R/HOLDER : MG634487
APPLICABLE FEMALE TERMINAL : ST731081, 731082, 731083
- △ 5.10 HAZARDOUS SUBSTANCES IN PARTS (Lead, Mercury, Cadmium, Hexavalent Chromium, PBBs, PBDEs, DEHP, DBP, BBP, DIBP) SHALL NOT EXCEED THE MAXIMUM PERMISSIBLE CONCENTRATION PRESCRIBED UNDER EU ELV DIRECTIVE & RoHS REGULATION.

NO.	MATERIAL	COLOR
0	PET+PC TE5006FH	NATURAL
1		RED
2		BLUE
3		YELLOW
5		BLACK
6		GREEN

APPROVED

2020-12-09

KOREA ELECTRIC
TERMINAL CO., LTD.
Electronic Product Development Team

ISSUE MARK

					MATERIAL △ PET+PC(GWIT)		KOREA ELECTRIC TERMINAL CO., LTD.			
					FINISH △ SEE TABLE					
△ ECO-2001-103 큰거 도면 재작성					YHJ	KSH	KHG	'20.01.09	WIRE RANGE	CLASS
△ ECO-1512-184 큰거 도면 재작성					LCM	KSH	BUC	'15.12.10	INSULATION	TYPE .060
△ ECO-1409-113 큰거 도면 재작성					LCM	KSH	BUC	'14.09.19	TOLERANCE EXCEPT AS NOTED	SCALE 2/1
LTR	REVISION RECORD				DR.	CHK.	APP.	DATE	PART NO.	MG614538
DR.	CJH 2008.12.03				CHK.	Hak		12/03	PART NAME	NEW 060 2F HSG
CHK.					APP.			12/03		