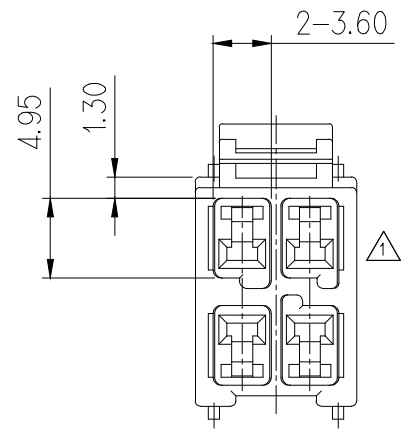
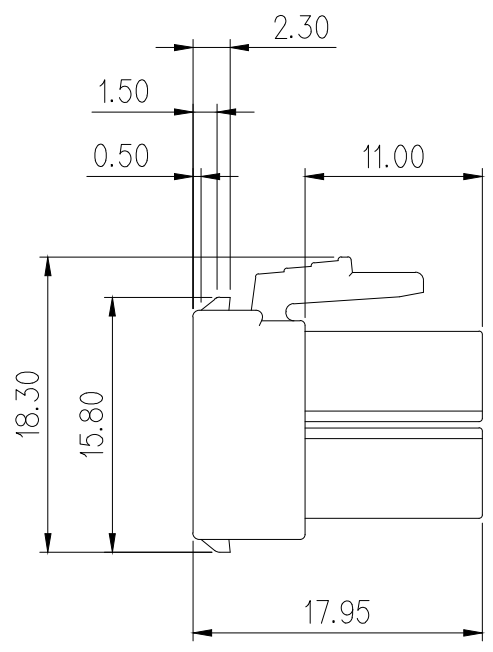
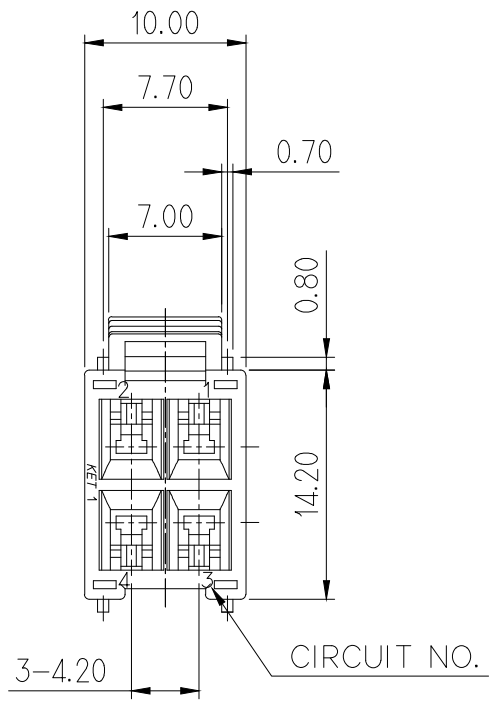
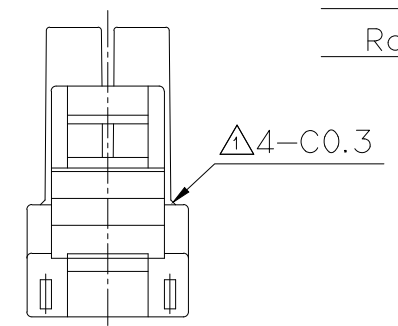


주 기

1. 지시하지 않은 반경 R은 0.3로 한다
2. 지시하지 않은 모따기 C는 0.5으로 한다.
3. 기능상 유해한 BURR 및 WELDLINE 등이 없을것.
4. 적용 HOUSING : MG624489, MG624490
적용 R/HOLDER : MG634487
적용 FEMALE TERMINAL : ST731081, 731082, 731083
- △ 5. 제품 내 함유된 10대 유해물질 (납, 수은, 카드뮴, 6가 크롬 PBBs, PBDEs, DEHP, DBP, BBP, DIBP)은 EU ELV 지침 및 RoHS 법규에서 지정한 최대 허용농도를 초과해서는 안 된다.



GENERAL TOLERANCE (HOUSING)							USED ON
10 MAX	50 MAX	100 MAX	250 MAX	250 VR	ANGLE	ECCENT	
±0.2	±0.3	±0.55	±0.95	±1.4	±30'	0.1	

NOTE

1. UNLESS OTHERWISE SPECIFIED ALL RADIUS TO BE 0.3 RADIUS.
2. UNLESS OTHERWISE SPECIFIED ALL CHAMFERS TO BE 0.5 CHAMFER.
3. MUST BE FREE OF FLASH, SINK AND IMPERFECTION THAT AFFECT FUNCTION.
4. APPLICABLE HOUSING : MG624489, MG624490
APPLICABLE R/HOLDER : MG634487
APPLICABLE FEMALE TERMINAL : ST731081, 731082, 731083
- △ 5.10 HAZARDOUS SUBSTANCES IN PARTS (Lead, Mercury, Cadmium, Hexavalent Chromium, PBBs, PBDEs, DEHP, DBP, BBP, DIBP) SHALL NOT EXCEED THE MAXIMUM PERMISSIBLE CONCENTRATION PRESCRIBED UNDER EU ELV DIRECTIVE & RoHS REGULATION.

△/△	NO.	COLOR
*	0	NATURAL
	1	RED
*	2	BLUE
*	3	YELLOW
	4	GRAY
	5	BLACK
	6	GREEN

APPROVED

2020-12-09

**KOREA ELECTRIC
TERMINAL CO., LTD.
Electronic Product Development Team**

ISSUE MARK

△	ECO-2001-103	YHJ	KSH	KHG	'20.01.09	MATERIAL	△PET+PC(GWIT)	KOREA ELECTRIC TERMINAL CO., LTD.
△	ECO-1903-356	YHJ	KSH	KHG	'19.03.25	FINISH	△SEE TABLE	
△	ECO-1805-103	YHJ	KSH	BUC	'18.05.09	WIRE RANGE		CLASS
△	ECO-1409-113	LCM	KSH	BUC	'14.09.19	INSULATION		TYPE .060
△	ECO-1111-026	KSJ	가희	정민	'11.11.02	TOLERANCE EXCEPT AS NOTED	SEE TABLE	SCALE 2/1
LTR	REVISION RECORD	DR.	CHK.	APP.	DATE	PART NO.	MG614488	
DR.	CJH	2008.12.03	CHK.	Hak	12/03	PART NAME	NEW 060 4F HSG (2X2)	
CHK.			APP.	정민	12/03			