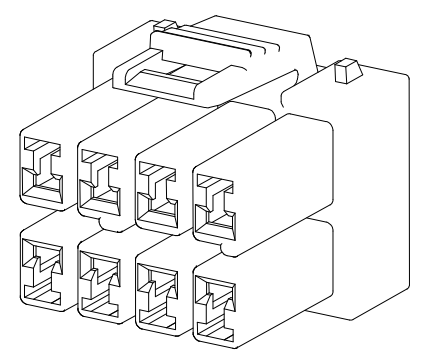
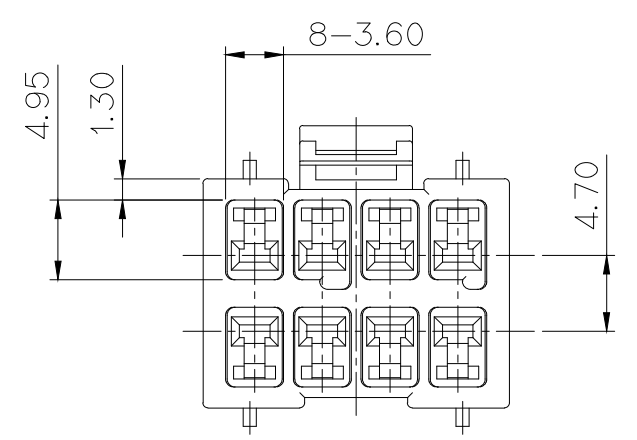
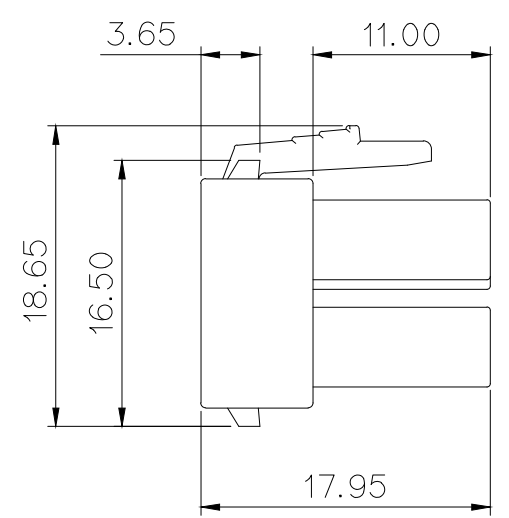
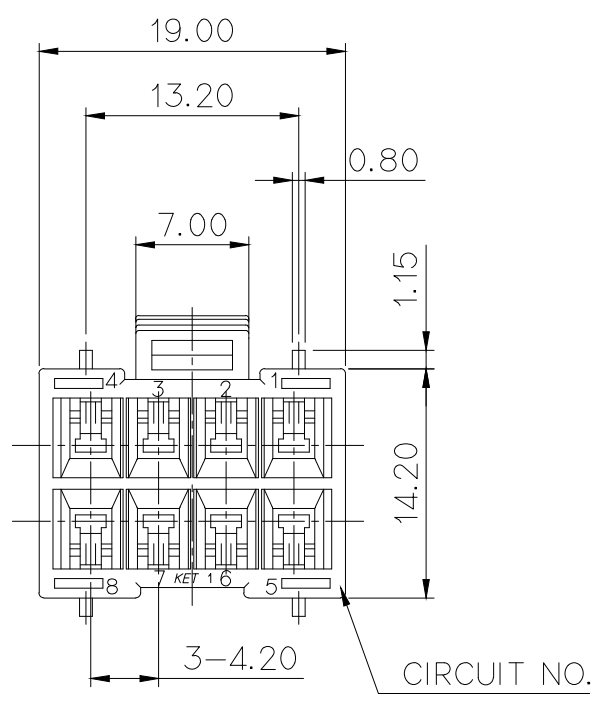
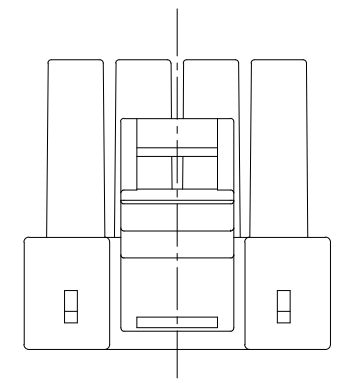


PART NO.
MG614162, MG614814

CUSTOMER DRAWING



ISO VIEW



GENERAL TOLERANCE (HOUSING)							USED ON
10 MAX	50 MAX	100 MAX	250 MAX	250 VR	ANGLE	ECCENT	
±0.2	±0.3	±0.55	±0.95	±1.4	±30'	0.1	

주 기

- 1.지시하지 않은 반경 R은 0.3로 한다
- 2.지시하지 않은 모따기 C는 0.5으로 한다.
- 3.기능상 유해한 BURR 및 WELDLINE등이 없을것.
- 4.적용 HOUSING : MG624163, MG624210
적용 R/HOLDER : MG634164
적용 FEMALE TERMINAL : ST731081, 731082, 731083
- 5.KET 문자 : 기울기 15°(H; 0.1~0.2, SIZE; 2.0)
CAVITY NO.: 기울기 0°(H; 0.1~0.2, SIZE; 2.0)
6. 제품내 함유된 6대 유해물질 (납,수은,카드뮴,6가크롬,PBBs,PBDEs)은 EU ELV 지침 및 RoHS 법규에서 지정한 최대 허용 농도를 초과해서는 안된다.

NOTE

1. UNLESS OTHERWISE SPECIFIED ALL RADIUS TO BE 0.3 RADIUS.
2. UNLESS OTHERWISE SPECIFIED ALL CHAMFERS TO BE 0.5 CHAMFER.
3. MUST BE FREE OF FLASH, SINK AND IMPERFECTION THAT AFFECT FUNCTION.
4. APPLICABLE HOUSING : MG624163, MG624210
APPLICABLE R/HOLDER : MG634164
APPLICABLE FEMALE TERMINAL : ST731081, 731082, 731083
5. KET MARK : TAPER 15° (H; 0.1~0.2, SIZE; 2.0)
CAVITY NO. : TAPER 0°(H; 0.1~0.2, SIZE; 2.0)
6. 6 HAZARDOUS SUBSTANCES IN PARTS (LEAD,MERCURY, CADMIUM,HEXAVALENT CHROMIUM,PBBs,PBDEs) SHALL NOT EXCEED THE MAXIMUM PERMISSIBLE CONCENTRATION

APPROVED
2017-08-10
KOREA ELECTRIC
TERMINAL CO., LTD.
Electronic Product Development Team

ISSUE MARK

△△	PART NO.	MATERIAL
	MG614162	PET+PC(GWIT)
	MG614814	PBT(V0)

						MATERIAL	SEE TABLE	KET KOREA ELECTRIC TERMINAL CO., LTD. ENGINEERED	
						FINISH	NATURAL		
						WIRE RANGE		CLASS	
						INSULATION		TYPE .060	
LTR	REVISION RECORD	DR.	CHK.	APP.	DATE	TOLERANCE EXCEPT AS NOTED	SEE TABLE	SCALE 2/1	PART NO. △△MG614162, MG614814
	DR. CJH 2008.01.30		CHK. Hak		1/30				
	CHK.		APP.		1/30				PART NAME NEW 060 8F HSG

DIMENSIONS IN MM)