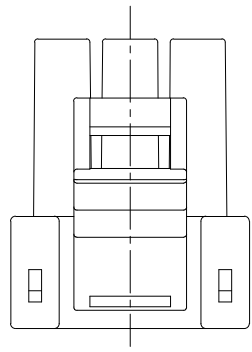


ISO VIEW



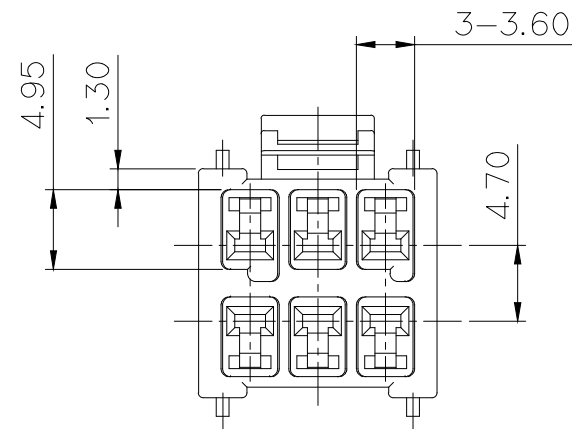
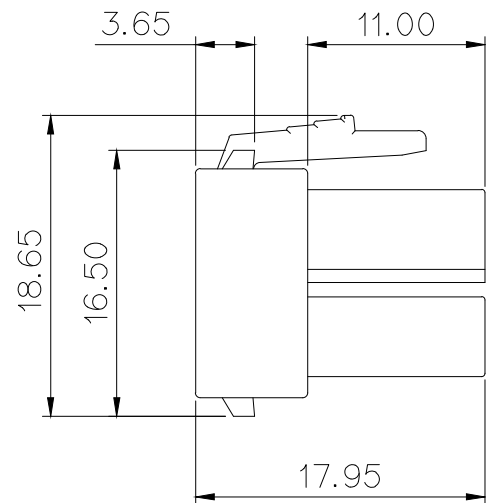
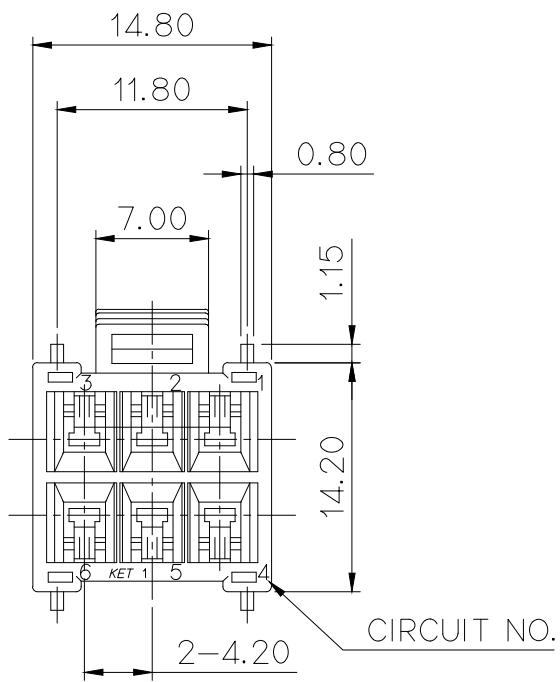
주 기

1. 지시하지 않은 반경 R은 0.3로 한다
2. 지시하지 않은 모따기 C는 0.5으로 한다.
3. 기능상 유해한 BURR 및 WELDLINE 등이 없을것.
4. 적용 HOUSING : MG624161, MG624209
적용 R/HOLDER : MG634165
적용 FEMALE TERMINAL : ST731081, 731082, 731083
5. KET 문자 : 기울기 15°(H; 0.1~0.2, SIZE; 2.0)
CAVITY NO.: 기울기 0°(H; 0.1~0.2, SIZE; 2.0)
- △ 6. 제품 내 함유된 10대 유해물질 (납, 수은, 카드뮴, 6가 크롬 PBBs, PBDEs, DEHP, DBP, BBP, DIBP)은 EU ELV 지침 및 RoHS 법규에서 지정한 최대 허용농도를 초과해서는 안 된다.

NOTE

1. UNLESS OTHERWISE SPECIFIED ALL RADIUS TO BE 0.3 RADIUS.
2. UNLESS OTHERWISE SPECIFIED ALL CHAMFERS TO BE 0.5 CHAMFER.
3. MUST BE FREE OF FLASH, SINK AND IMPERFECTION THAT AFFECT FUNCTION.
4. APPLICABLE HOUSING : MG624161, MG624209
APPLICABLE R/HOLDER : MG634165
APPLICABLE FEMALE TERMINAL : ST731081, 731082, 731083
5. KET MARK : TAPER 15° (H; 0.1~0.2, SIZE; 2.0)
CAVITY NO. : TAPER 0°(H; 0.1~0.2, SIZE; 2.0)
- △ 6.10 HAZARDOUS SUBSTANCES IN PARTS (Lead, Mercury, Cadmium, Hexavalent Chromium, PBBs, PBDEs, DEHP, DBP, BBP, DIBP) SHALL NOT EXCEED THE MAXIMUM PERMISSIBLE CONCENTRATION PRESCRIBED UNDER EU ELV DIRECTIVE & RoHS REGULATION.

△ GENERAL TOLERANCE (HOUSING)					USED ON
10MAX	50MAX	100MAX	100VR	()	
±0.25	±0.35	±0.55	±0.95	±1.0	



△ NO.	COLOR	MG614160	MG614812
0	NATURAL	*	*
1	RED		
2	BLUE		
3	YELLOW	*	
4	GRAY		
5	BLACK		
6	GREEN		

APPROVED

2021-10-18

KOREA ELECTRIC TERMINAL CO., LTD.
Korea Electric Terminal Co., LTD.

ISSUE MARK

△ PART NO.	MATERIAL
MG614160	PET+PC(GWIT)
MG614812	PBT(V0)

△ ECO-2104-328	YHJ PSH KSH	'21.04.28	MATERIAL	SEE TABLE	KOREA ELECTRIC TERMINAL CO., LTD.	
△ ECO-2001-103	YHJ KSH KHG	'20.01.09	FINISH	△ SEE TABLE		
△ ECO-1409-113	LCM KSH BUC	'14.09.19	WIRE RANGE		CLASS	
△ 시방변경서(S090089)	CJH Hak	'09.04.16	INSULATION		TYPE .060	
LTR	REVISION RECORD	DR. CHK. APP. DATE	TOLERANCE EXCEPT AS NOTED	SEE TABLE	SCALE 2/1	PART NO. △MG614160, MG614812
DR. CJH	2008.02.18	CHK. Hak				
CHK.		APP. Hak				PART NAME NEW 060 6F HSG