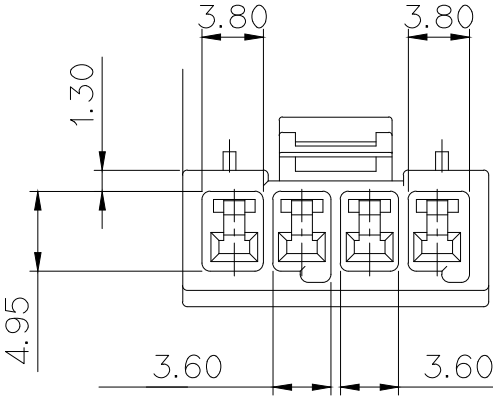
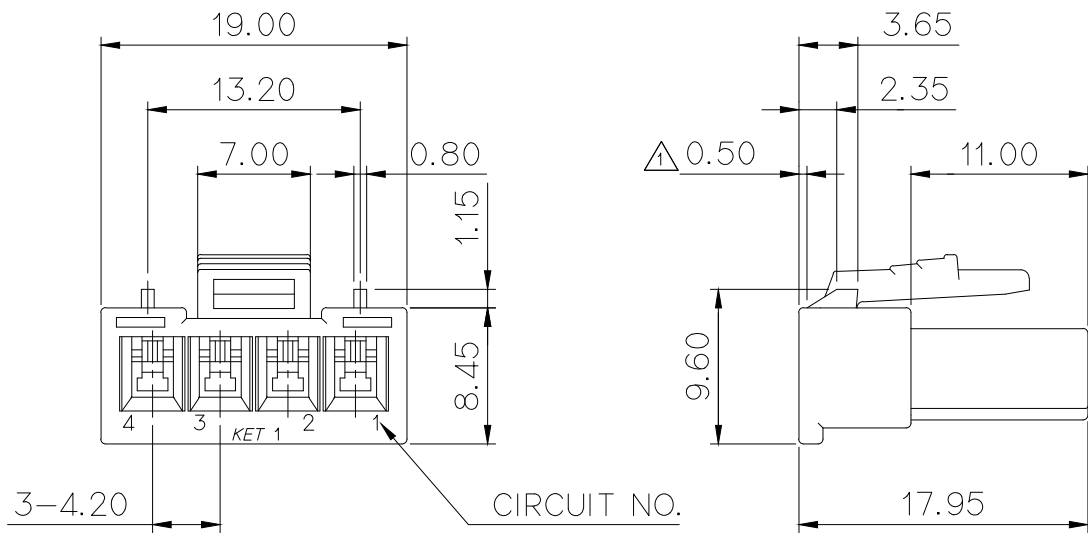
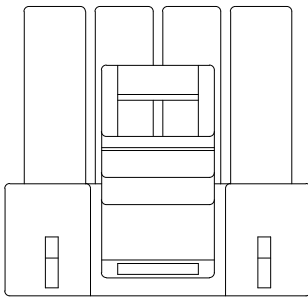


ISO VIEW

**주 기**

1. 지시하지 않은 반경 R은 0.3로 한다
2. 지시하지 않은 모따기 C는 0.5으로 한다.
3. 기능상 유해한 BURR 및 WELDLINE등이 없을것.
4. 적용 HOUSING : MG624159, MG624208  
적용 R/HOLDER : MG634164  
적용 FEMALE TERMINAL : ST731081, 731082, 731083
5. KET 문자 : 기울기 15°(H; 0.1~0.2, SIZE; 2.0)  
CAVITY NO.: 기울기 0°(H; 0.1~0.2, SIZE; 2.0)
6. HOUSING 표면 부시사양: KDP-6A

- △ 7. 제품 내 함유된 10대 유해물질 (납, 수은, 카드뮴, 6가 크롬 PBBs, PBDEs, DEHP, DBP, BBP, DIBP)은 EU ELV 지침 및 RoHS 법규에서 지정한 최대 허용농도를 초과해서는 안 된다.



GENERAL TOLERANCE (HOUSING)							USED ON
10 MAX	50 MAX	100 MAX	250 MAX	250 VR	ANGLE	ECCENT	
±0.2	±0.3	±0.55	±0.95	±1.4	±30'	0.1	

**NOTE**

1. UNLESS OTHERWISE SPECIFIED ALL RADIUS TO BE 0.3 RADIUS.
2. UNLESS OTHERWISE SPECIFIED ALL CHAMFERS TO BE 0.5 CHAMFER.
3. MUST BE FREE OF FLASH, SINK AND IMPERFECTION THAT AFFECT FUNCTION.
4. APPLICABLE HOUSING : MG624159, MG624208  
APPLICABLE R/HOLDER : MG634164  
APPLICABLE FEMALE TERMINAL : ST731081, 731082, 731083
5. KET MARK : TAPER 15° (H; 0.1~0.2, SIZE; 2.0)  
CAVITY NO. : TAPER 0°(H; 0.1~0.2, SIZE; 2.0)
6. HOUSING ETCHING SPEC : KDP-6A
- △ 7.10 HAZARDOUS SUBSTANCES IN PARTS (Lead, Mercury, Cadmium, Hexavalent Chromium, PBBs, PBDEs, DEHP, DBP, BBP, DIBP) SHALL NOT EXCEED THE MAXIMUM PERMISSIBLE CONCENTRATION PRESCRIBED UNDER EU ELV DIRECTIVE & RoHS REGULATION.

**APPROVED**  
2021-01-07  
KOREA ELECTRIC  
TERMINAL CO., LTD.  
Electronic Product Development Team

ISSUE MARK

		MATERIAL △PET+PC(GWIT)		KOREA ELECTRIC	
		FINISH NATURAL		TERMINAL CO., LTD.	
△ ECO-2001-103 근거 도면 재작성		YHJ	KSH	KHG	'20.01.09
△ ECO-1409-113 근거 도면 재작성		LCM	KSH	BUC	'14.09.19
△ 설계사양변경서(S100104) 근거 수정			KSH		'10.05.06
LTR	REVISION RECORD	DR.	CHK.	APP.	DATE
DR.	CJH 2008.01.30	CHK.	Hak		1/30
CHK.		APP.	BUC		1/30
TOLERANCE EXCEPT AS NOTED		SCALE 2/1		PART NO. MG614158	
PART NAME		NEW 060 4F HSG			