

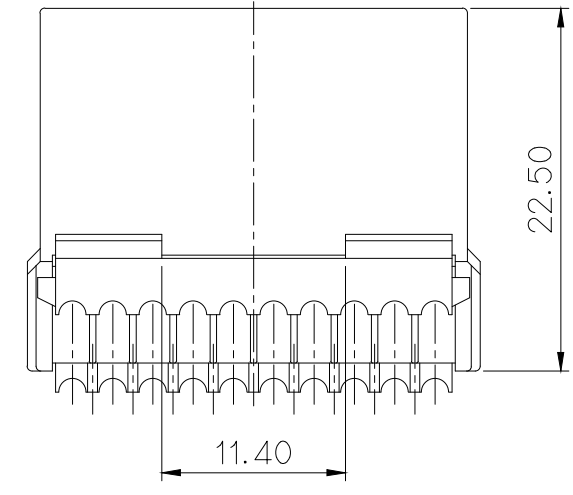
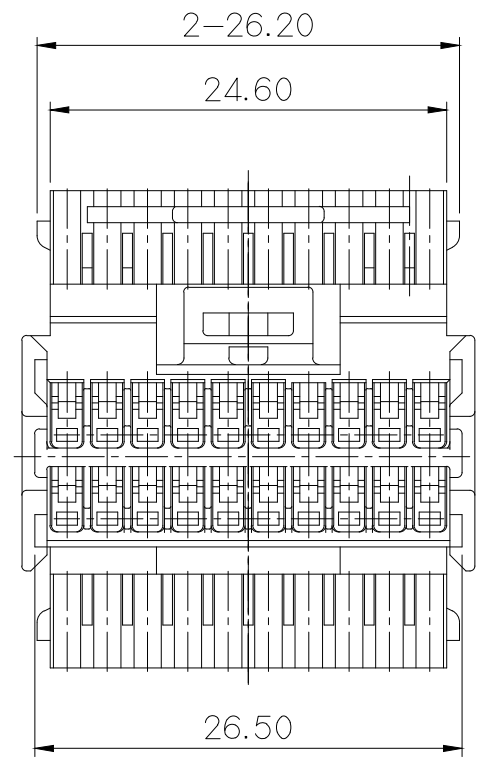
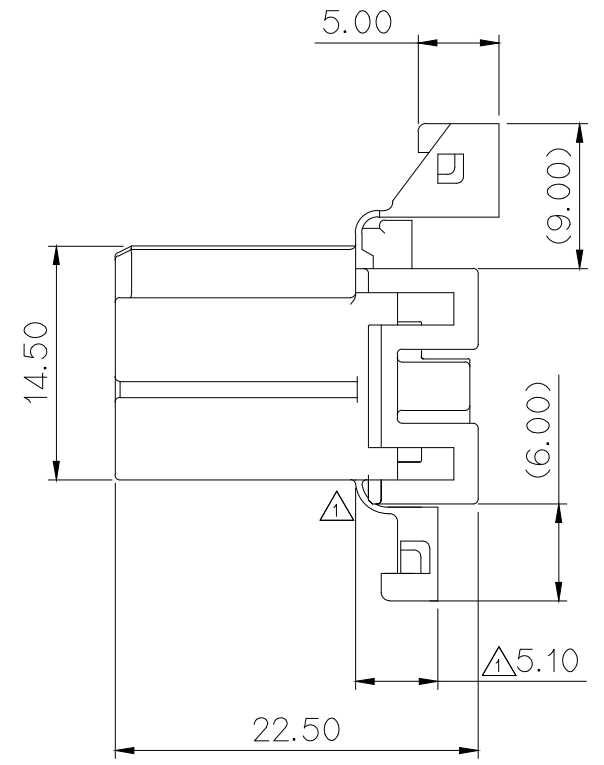
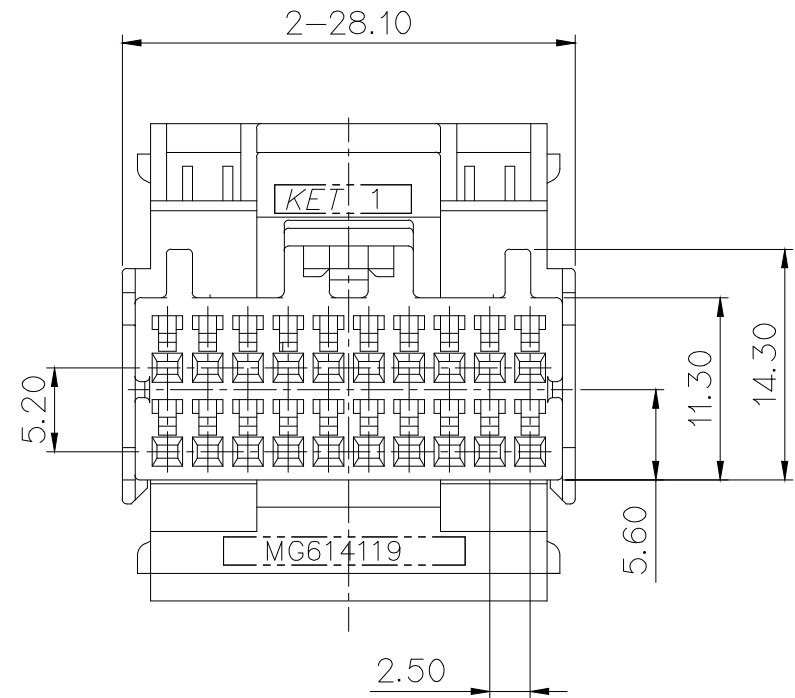
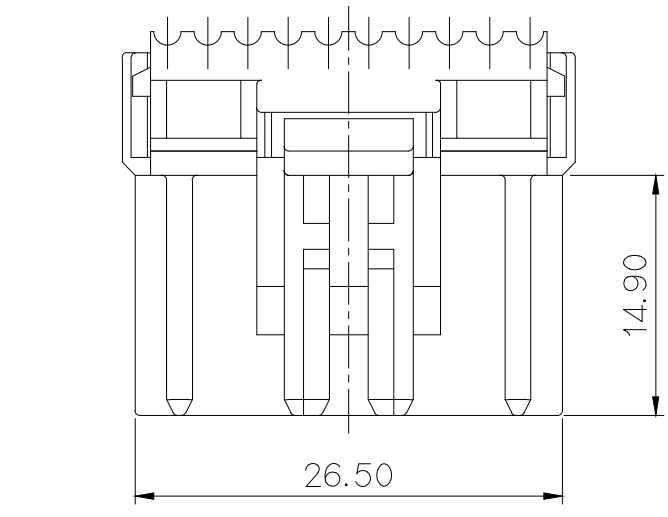
GENERAL TOLERANCE (HOUSING)							USED ON
10MAX	50MAX	100MAX	250MAX	250VR	ANGLE	ECCENT	
±0.2	±0.3	±0.55	±0.95	±1.4	±30'	0.1	

주 기

- 1.제품기능상 유해한 BURR,변형 및 WELDLINE 없을것.
- 2.지시하지 않은 반경 R은 0.3으로 한다.
- 3.지시하지 않은 모따기 C는 0.3으로 한다.
- 4.적용 HOUSING : MG644112
5. APPLICABLE TERMINAL : ST731078-3
- 6.제품내 함유된 6대 유해물질 (납,수은,카드뮴,6가크롬, PBBs,PBDEs)은 EU ELV 지침 및 RoHS 법규에서 지정한 최대 허용 농도를 초과해서는 안된다.

NOTE

1. MUST BE FREE OF BURR, WELDLINE AND IMPERFECTION THAT AFFECT FUNCTION.
2. UNLESS OTHERWISE SPECIFIED ALL RADIUS TO BE 0.3 RADIUS.
3. UNLESS OTHERWISE SPECIFIED ALL CHAMFERS TO BE 0.3CHAMFER.
4. APPLICABLE HOUSING : MG644112
- 5.적용TERMINAL: ST731078-3
6. 6 HAZARDOUS SUBSTANCES IN PARTS (LEAD,MERCURY, CADMIUM,HEXAVALENT CHROMIUM,PBBs,PBDEs) SHALL NOT EXCEED THE MAXIMUM PERMISSIBLE CONCENTRATION PRESCRIBED UNDER EU ELV DIRECTIVE & RoHS REGULATION.



APPROVED

2018-12-10

KOREA ELECTRIC TERMINAL CO., LTD.
Korea Electric Terminal Co., LTD.

ISSUE MARK

		MATERIAL		PBT		KOREA ELECTRIC	
		FINISH		BLACK		TERMINAL CO., LTD.	
		WIRE RANGE				CLASS 040II	
		INSULATION				TYPE	
LTR		REVISION RECORD		DATE		PART NO. MG614119	
DR. CDH 2010.01.18		CHK. LSY 2010.01.19		SCALE 2/1		PART NAME	
CHK.		APP. KKJ 2010.01.19				040II 20F HOUSING	