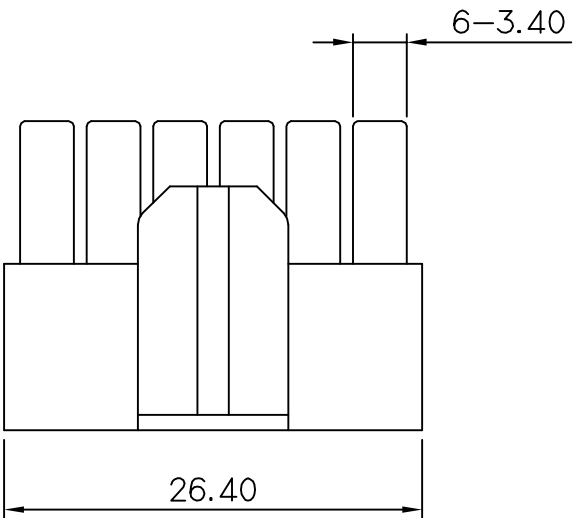
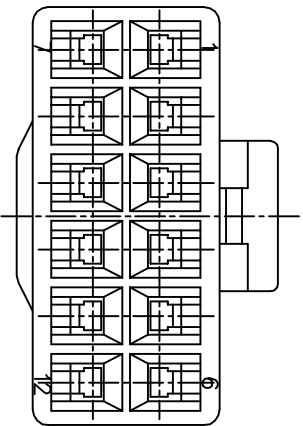
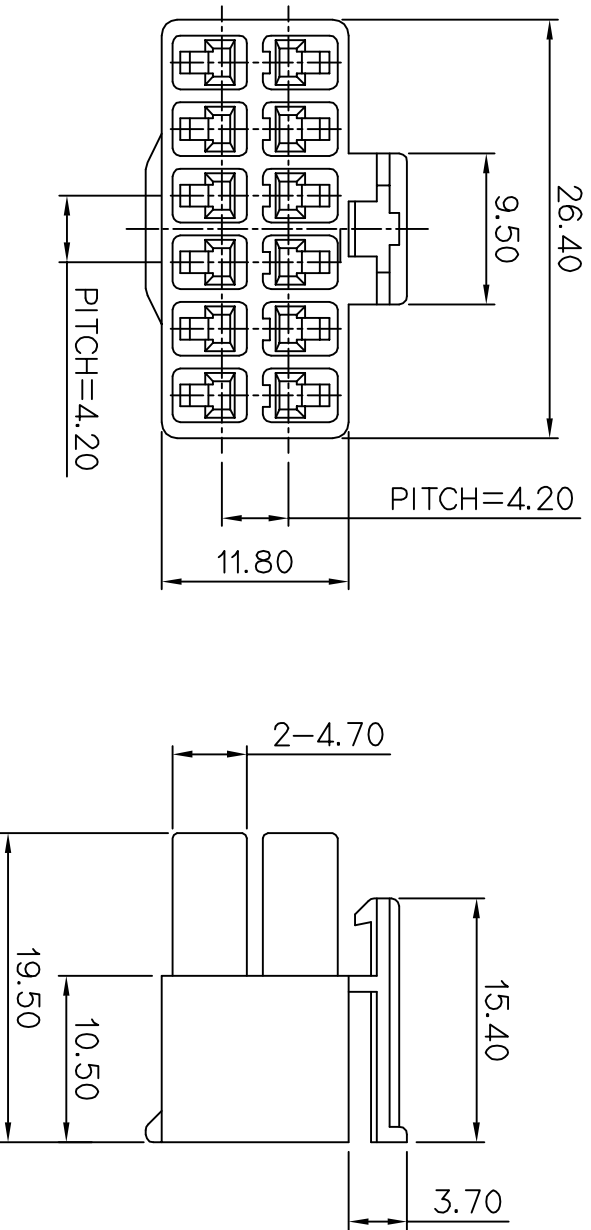
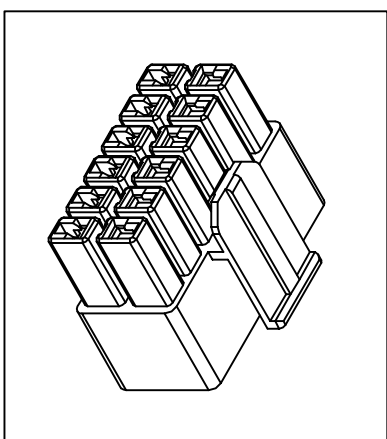


(DIMENSIONS IN MM)

GENERAL TOLERANCE (HOUSING)							USED ON
10 MAX	50 MAX	100 MAX	250 MAX	250 VR	ANGLE	ECCENT	
±0.2	±0.3	±0.55	±0.95	±1.4	±30'	0.1	



NO.	MATERIAL	COLOR
0		NATURAL
1		RED
2	PBT	BLUE
3		YELLOW
5		BLACK



- NOTE**
- MUST BE FREE OF BURR, WELDLINE AND IMPERFECTION THAT AFFECT FUNCTION.
 - APPLICABLE TERMINAL : ST730982,983
 - APPLICABLE REC. HOUSING : MG643372

3. HAZARDOUS SUBSTANCES IN PARTS (Lead, Mercury, Cadmium, Hexavalent Chromium, PBBs, PBDEs) SHALL NOT EXCEED THE MAXIMUM PERMISSIBLE CONCENTRATION PRESCRIBED UNDER EU ELV DIRECTIVE & ROHS REGULATION

주 기

- 기능상 유해한 BURR 및 WELDLINE등이 없을것.
 - 적용 터미널 : ST730982,983
 - 적용 REC. HOUSING : MG643372
3. 제품 내 함유된 6대 유해물질 (납, 수은, 카드뮴, 6가 크롬, PBBs, PBDEs)은 EU ELV 지침 및 RoHS 법규에서 지정한 최대 허용농도를 초과해서는 안 된다.

ISSUE MARK

KIET KOREA ELECTRIC
ENGINEERED
TERMINAL CO., LTD.

DR.	CHK.	DATE	MATERIAL	FINISH	WIRE RANGE	INSULATION	SCALE	PART NO.
LSY 04. 10. 26	CHK.	11.04.27	PBT	SEE TABLE			2/1	MG613371
CHK.	APP.							

REVISION RECORD

NO.	REVISION	DATE
1	설계수정(110728)크기 도면 재작성	11.04.27

TOLERANCE AS SHOWN

PART NAME 060 12F HOUSING(4.2MM)