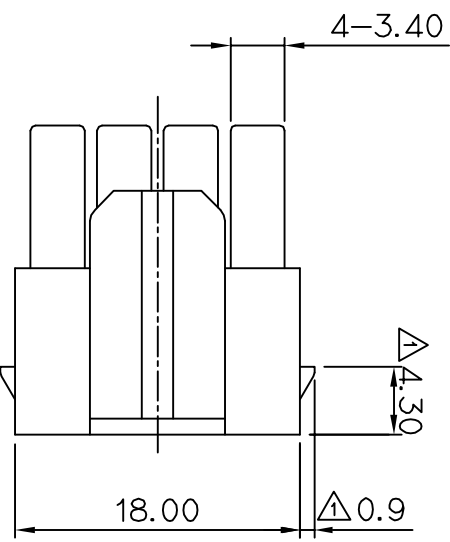
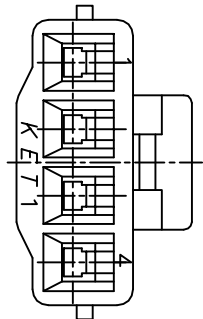
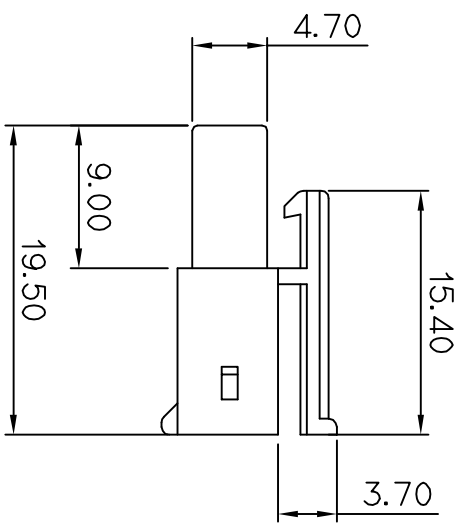
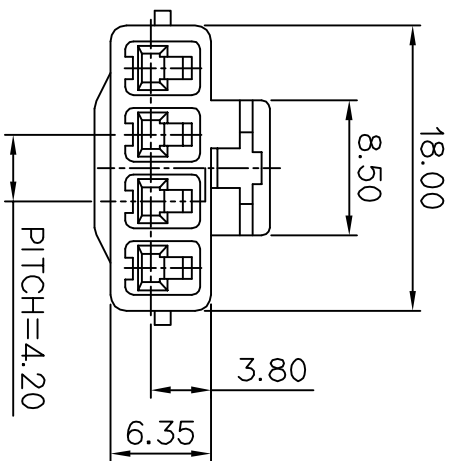
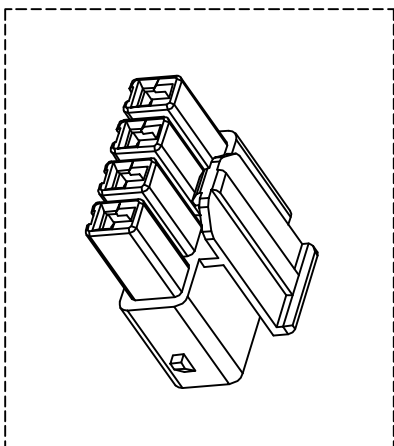


GENERAL TOLERANCE (HOUSING)							USED ON
10 MAX	50 MAX	100 MAX	250 MAX	250 VR	ANGLE	ECCENT	
±0.2	±0.3	±0.55	±0.95	±1.4	±30'	0.1	



NO.	MATERIAL	COLOR
0		NATURAL
1		RED
2	PBT	BLUE
3		YELLOW
5		BLACK



NOTE

- MUST BE FREE OF BURR, WELDLINE AND IMPERFECTION THAT AFFECT FUNCTION.
- APPLICABLE TERMINAL : ST730982,983
APPLICABLE REC HOUSING : MG643369
APPLICABLE R/HOLDER : MG633784
- HAZARDOUS SUBSTANCES IN PARTS (Lead, Mercury, Cadmium, Hexavalent Chromium, PBBs, PBDEs) SHALL NOT EXCEED THE MAXIMUM PERMISSIBLE CONCENTRATION PRESCRIBED UNDER EU ELV DIRECTIVE & ROHS REGULATION

주 기

- 기능상 유해한 BURR 및 WELDLINE등이 없을것.
- 적용 터미널 : ST730982,983
적용 REC HOUSING : MG643369
적용 R/HOLDER : MG633784
- 제품 내 함유된 6대 유해물질 (납, 수은, 카드뮴, 6가 크롬, PBBs, PBDEs)은 EU ELV 지침 및 ROHS 법규에서 지정한 최대 허용농도를 초과해서는 안 된다.

ISSUE MARK

KET KOREA ELECTRIC
ENGINEERED
TERMINAL CO., LTD.

CLASS .060

MATERIAL	PBT
FINISH	SEE TABLE
WIRE RANGE	
INSULATION	
SCALE	2/1
PART NO.	MG613368

DR.	CHK.	DATE	REVISION RECORD
DR.	CHK.	06.06.27	설계(8번변경)(S060173)근거도면 제작성
CHK.	CHK.	11.04.27	설계(8번변경)(S110128)근거 도면 제작성
CHK.	CHK.	10/5	10/5

PART NAME	060 4F HOUSING(4.2MM)
-----------	-----------------------