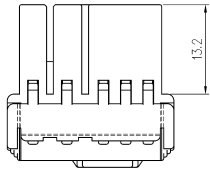
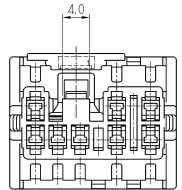
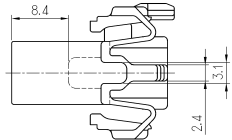
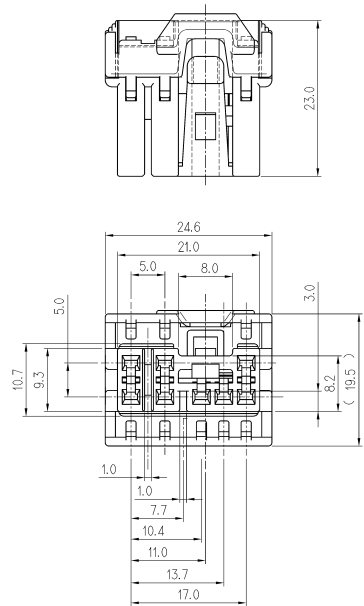


GENERAL TOLERANCE (HOUSING)					USED ON
10MAX	20MAX	45MAX	ANGLE	ECCENT	
±0.2	±0.25	±0.3	±30'	0.1	



NOTE

- 1.기능상 유해한 BURR 및 미성형 등이 없을 것.
- 2.적용 REC TERMINAL: ST730703, 704(7446-1300, 1301)
- 3.적용 REC HOUSING.(YAZAKI) : 7122-7880
- 4.MATERIAL : PBT - NATURAL COLOR.



ISSUE MARK

				MATERIAL SEE NOTE		KOREA ELECTRIC TERMINAL CO., LTD.	
				FINISH SEE NOTE			
				WIRE RANGE		CLASS 62C(.060)	
				INSULATION		TYPE 7123-7880	
LTR	REVISION RECORD	DR	CHK	APP	DATE	PART NO. MG611278	
DR	MAN '98.01.14.	CHK	<i>[Signature]</i>	APP	1/15		
CHK.	<i>[Signature]</i> 1/15	APP.	<i>[Signature]</i>	DATE	1/15	PART NAME	
						SCALE 2/1	C 8P PLUG HS'G (WHITE)