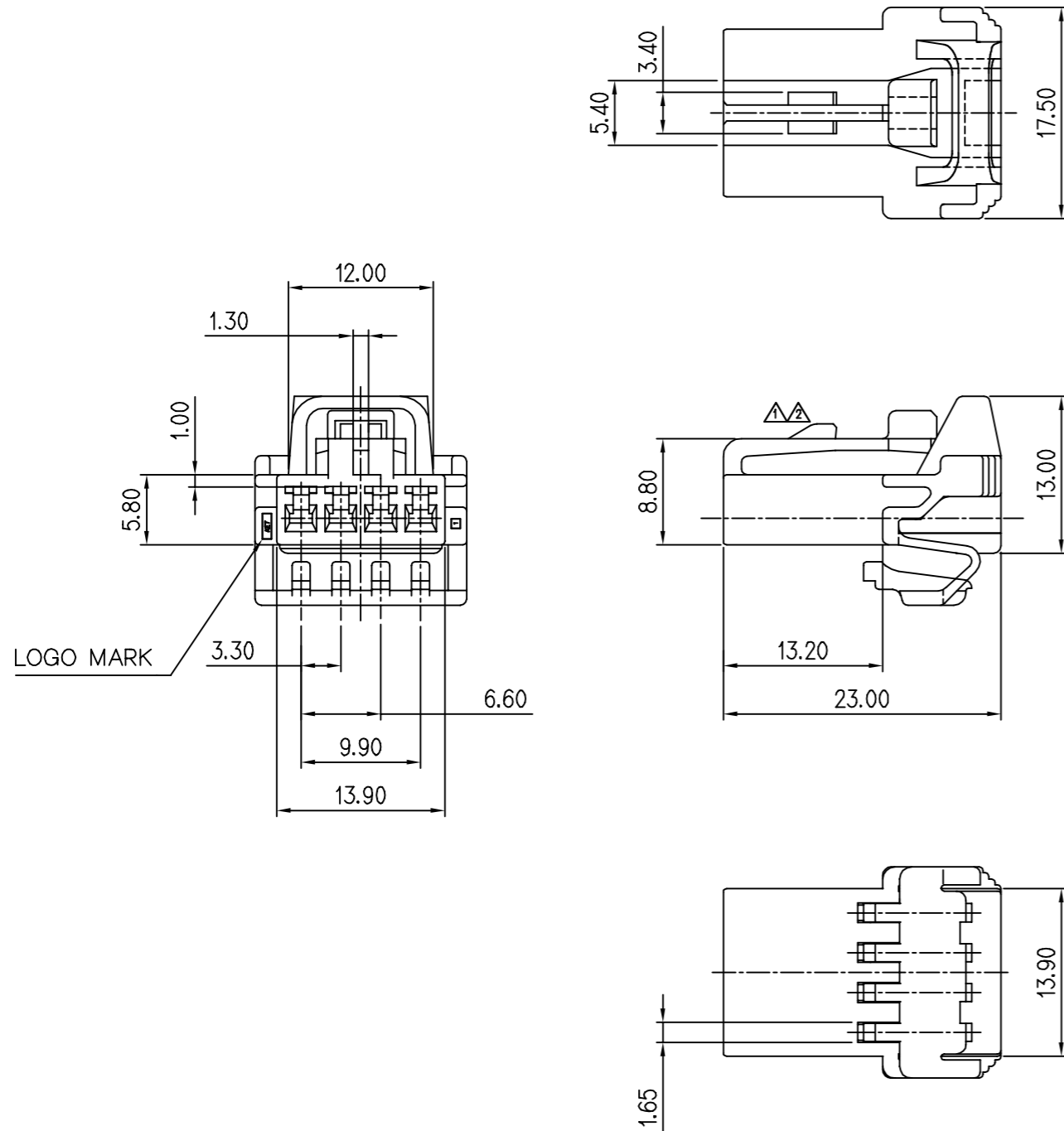


CUSTOMER DRAWING

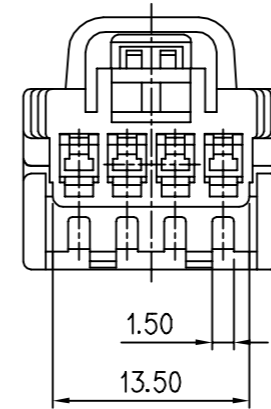
PART NO. MG611275

DIMENSIONS IN MM



GENERAL TOLERANCE (HOUSING)									USED ON
10MAX	30MAX	50MAX	70MAX	100MAX	120MAX	250MAX	250VR	ANGLE	MG621389
±0.15	±0.20	±0.30	±0.40	±0.50	±0.75	±0.90	±1.40	±30'	

NO.	MATERIAL	COLOR
* 0	P B T	NATURAL
1		RED
2		BLUE
20		JADE
3		YELLOW
4		GRAY
40		DARK GRAY
41		LIGHT GRAY
5		BLACK
* 6		DARK GREEN
△* 7		BROWN
8	LIGHT GREEN	
9	MAGENTA	
11	ORANGE	



주 기

1. 기능상 유해한 BURR 및 미성형 등이 없을 것.
2. 적용가능 TERMINAL: ST730703, ST730704 (7116-1300, 7116-1301).  
△ST731464
3. 적용 HOUSING : MG621389(7122-7840).
- △ 4. 제품내 함유된 6대 유해물질 (납,수은,카드뮴,6가크롬,PBBs,PPDEs)은 EU ELV 지침 및 RoHS 법규에서 지정한 최대 허용 농도를 초과해서는 안된다.

NOTE

1. MUST BE FREE OF BURR, WELDLINE AND IMPERFECTION THAT AFFECT FUNCTION.
2. APPLICABLE TERMINAL : ST730703, ST730704(7116-1300, 7116-1301)  
△ST731464
3. APPLICABLE HOUSING : MG621389(7122-7840)
- △ 4. 6 HAZARDOUS SUBSTANCES IN PARTS (LEAD MERCURY, CADMIUM, HEXAVALENT CHROMIUM, PBBs, PPDEs) SHALL NOT EXCEED THE MAXIMUM PERMISSIBLE CONCENTRATION PRESCRIBED UNDER EU ELV DIRECTIVE & RoHS REGULATION.

APPROVED
2021-10-18
KOREA ELECTRIC TERMINAL CO., LTD. Korea Electric Te rminal Co., LTD.

ISSUE MARK

△ ECO-2110-016 근거 도면 제작성	CTI	YDH	HYJ	'21.10.01	MATERIAL	SEE TABLE	<b>KET</b> KOREA ELECTRIC TERMINAL CO., LTD. <b>ENGINEERED</b>
△ ECO-2103-204 근거 도면 제작성	SKM	HYJ	CJH	'21.03.15	FINISH	SEE TABLE	
△ ECO-1603-226 근거 도면 제작성 (색상타이틀 추가 및 환경규제 추가추가)	KCS	CKY	LSY	'16.03.16	WIRE RANGE		CLASS 62C(.060)
△ ECO-1401-073 근거 도면 제작성	KJH	CSH	CWK	'14.01.09	INSULATION		TYPE 7123-7840
△ ECO-1312-158 근거 도면 제작성	KJH	CSH	CWK	'13.12.16	LTR	REVISION RECORD	PART NO. MG611275
DR. MAN '97.08.08.	CHK. KKJ	JJH	9/10	DATE	TOLERANCE EXCEPT AS NOTED	SCALE 2/1	PART NAME C 4P PLUG HS'G
CHK. JANG 9/10	APP. Watanabe	9/10			SEE TABLE		