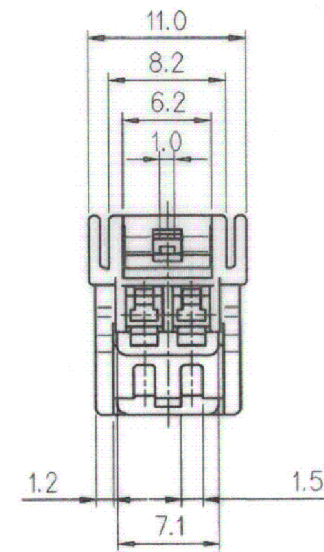
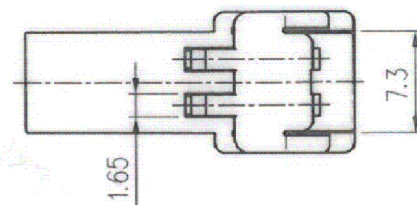
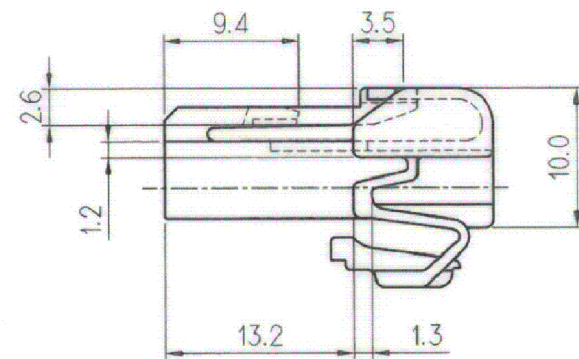
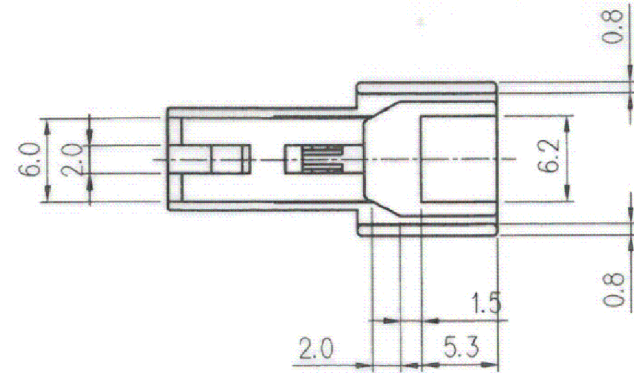
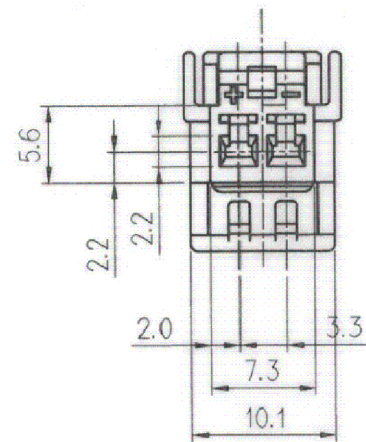


CUSTOMER DRAWING

PART NO. MG611271

DIMENSIONS IN MM



GENERAL TOLERANCE (HOUSING)					USED ON
10MAX	20MAX	45MAX	ANGLE	ECCENT	MG621386
±0.2	±0.25	±0.3	±30'	0.1	

NOTE

- 기능상 유해한 BURR 및 WELDLINE 등이 없을것.
- 적용 REC TERMINAL: ST730703,704 (7116-1300,1301)
- 적용 REC HOUSING : MG621386(7122-7822-80)
- MATERIAL: PBT - BROWN COLOR

APPROVED

2016-03-07

KOREA ELECTRIC
TERMINAL CO., LTD.
Product Development
nt Team 1

ISSUE

					MATERIAL	SEE NOTE	KIET KOREA ELECTRIC ENGINEERED TERMINAL CO., LTD.	
					FINISH	SEE NOTE		
					WIRE RANGE	CLASS 62(.060)		
					INSULATION	TYPE		
LTR	REVISION RECORD	DR	CHK.	APP.	DATE	TOLERANCE EXCEPT AS NOTED	SCALE	PART NO.
						SEE TABLE	2/1	MG611271
DR.	MAN '97.06.30.	CHK.	W/S	M	7/15	PART NAME	C 2P PLUG HS'G (BROWN)	
CHK.	S.I. SAEF 7/16	APP.	W/S		7/21			