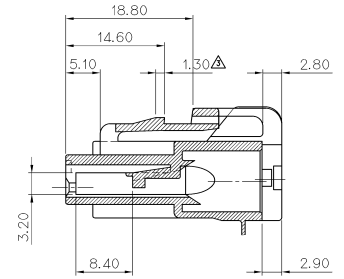
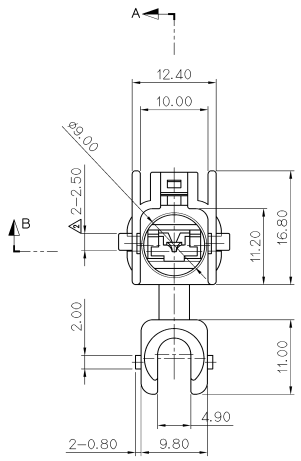


SEC B-B

GENERAL TOLERANCE (HOUSING)					USED ON
10MAX	20MAX	45MAX	ANGLE	ECCENT	
±0.2	±0.25	±0.3	±30'	0.1	



NOTES

- 기능상 유해한 거스리미 및 변형이 없을것.
- 착용 TERMINAL: ST730659, ST730660
- 상대 HOUSING : MG640951, (MG670950)



REVISION RECORD		DR	CHK	APP.	DATE	ISSUANCE REVISION BY NOTES	SCALE	PART NO.
DR.	9.14	CHK	SK	9.14	PART NAME	.250WP - 1P PLUG HOUSING		
CHK.	10.14	APP.		10.17				