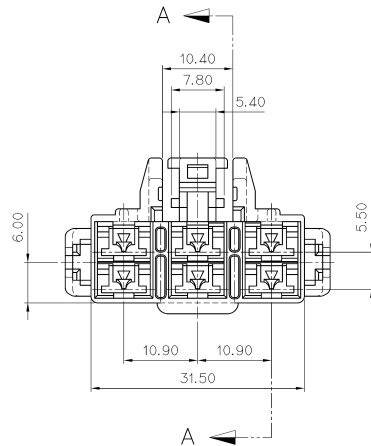


SEC : A-A



NOTES

1. 기능상 유해한 결함이 없을 것(BURR,미성형,WELDLINE등)
2. 지시없는 모서리 R은 0.3로 할 것
5. 적용 TER'L : ST730267,268,269

GENERAL TOLERANCE (HOUSING)							USED ON
1MAX	5MAX	10MAX	20MAX	45MAX	ANGLE	ECCENT	
±0.10	±0.15	±0.20	±0.25	±0.30	±30'	0.10	



ISSUE MARK

				MATERIAL PBT		KOREA ELECTRIC TERMINAL CO., LTD.	
				FINISH NATURAL			
				WIRE RANGE		CLASS	
				INSULATION		TYPE	
LTR	REVISION RECORD	DR	CHK	DATE	SCALE	PART NO.	
DR	JANG 98.03.16	CHK	3.16	3.16	2/1	MG 610885	
CHK	S.I. 3.16	APP	3.16				
PART NAME						.250 III PLUG HS'G 6P	