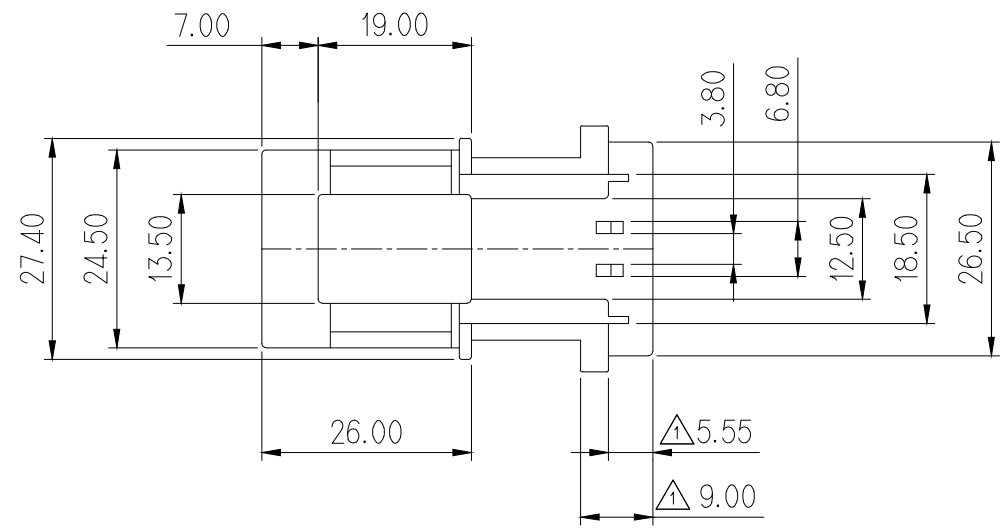


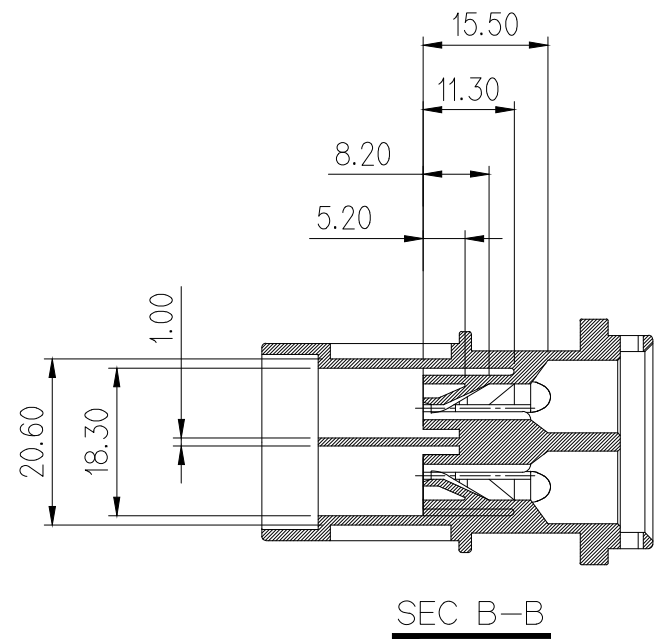
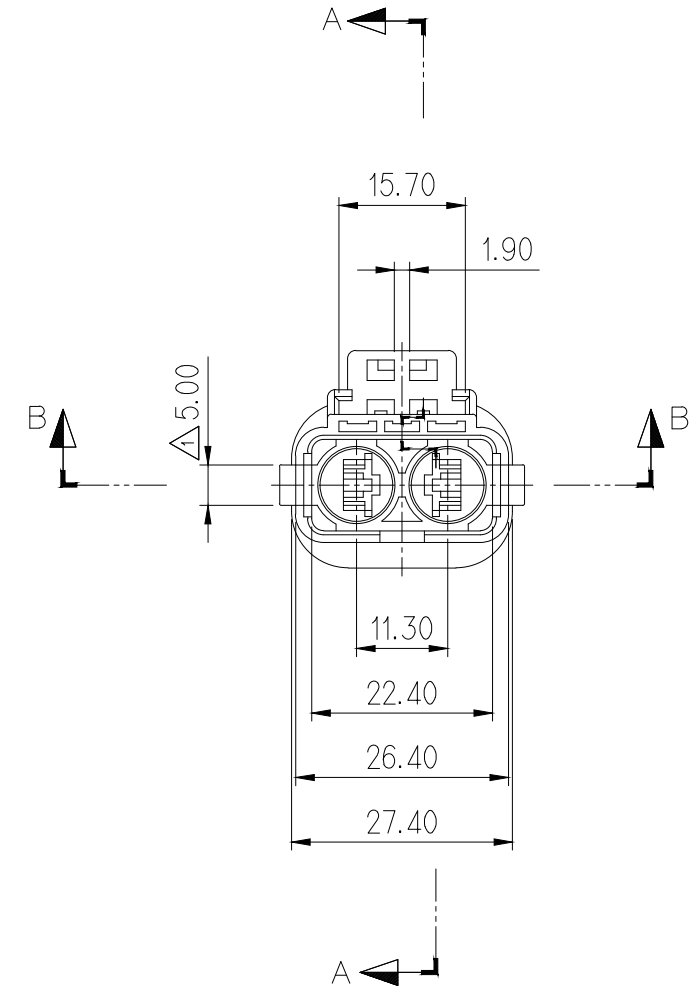
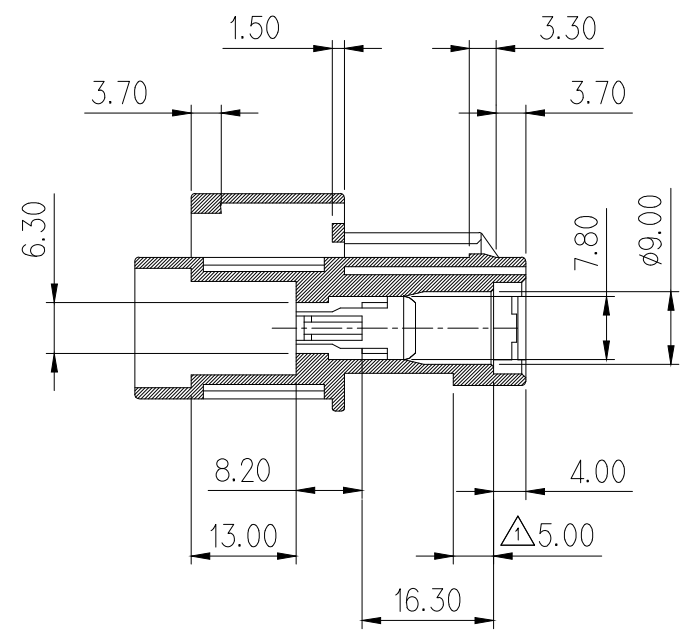
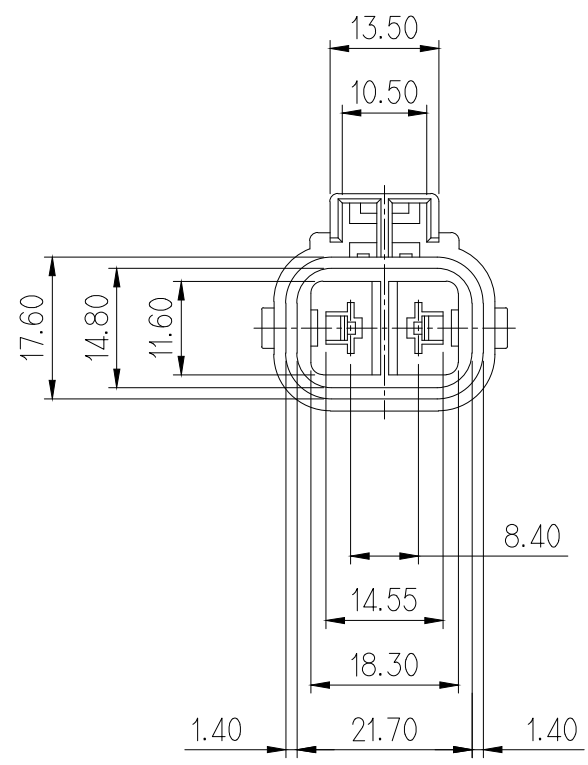
△2	NO.	MATERIAL	COLOR
	0	NYLON66	NATURAL
	1		RED
	2		BLUE
	20		JADE
	3		YELLOW
*	4		GRAY
	40		DARK GRAY
	41		LIGHT GRAY
*	5		BLACK
	6		DARK GREEN
	7		BROWN
	8		LIGHT GREEN
	9	MAGENTA	
	11	ORANGE	

GENERAL TOLERANCE (HOUSING)					USED ON
10MAX	20MAX	45MAX	ANGLE	ECCENT	
±0.2	±0.25	±0.3	±30'	0.1	



주 기

- 제품기능상 유해한 BURR, 변형 및 WELDLINE 등이 없을것.
- 적용 TERMINAL : ST740576, 577
- 적용 HOUSING: MG640188
적용 REAR HOLDER: MG630537



APPROVED
2016-02-25
KOREA ELECTRIC
TERMINAL CO., LTD.
Connector Development Team 1

ISSUE MARK

		MATERIAL		SEE TABLE	KOREA ELECTRIC TERMINAL CO., LTD.
		FINISH		SEE TABLE	
		WIRE RANGE			CLASS
		INSULATION			TYPE
LTR		REVISION RECORD		DR. CHK. APP. DATE	TOLERANCE EXCEPT AS NOTED
DR. KKJ 93.04.03		CHK. [Signature]		4.04	SCALE 1/1
CHK. S. w/ku 4.05		APP. [Signature]		4.06	PART NO. MG610574
					PART NAME
					250 WP 2P PLUG HOUSING