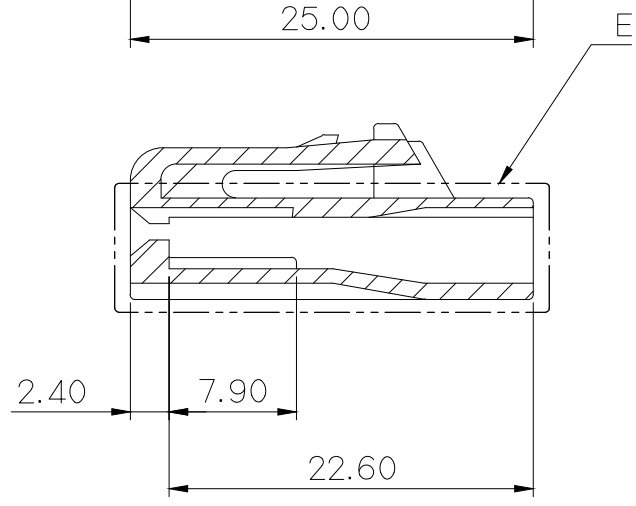
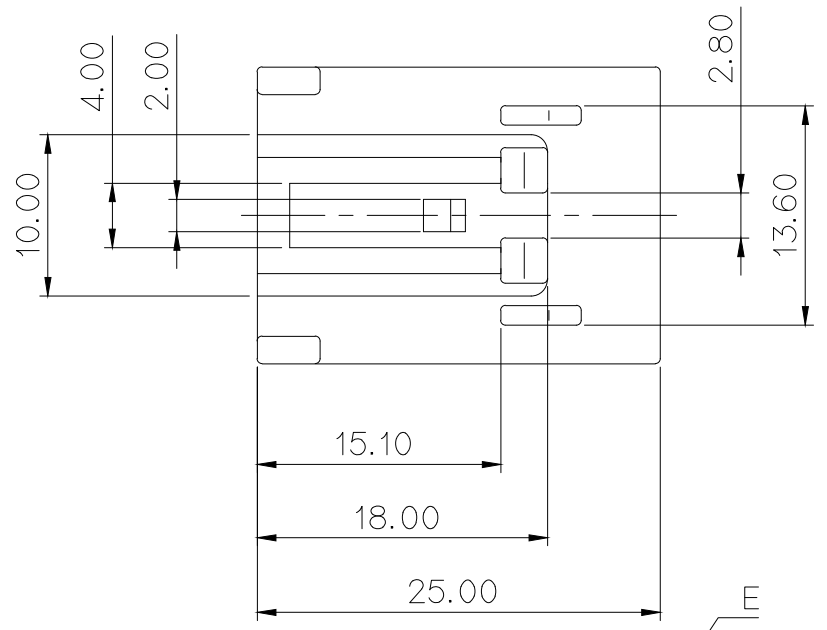
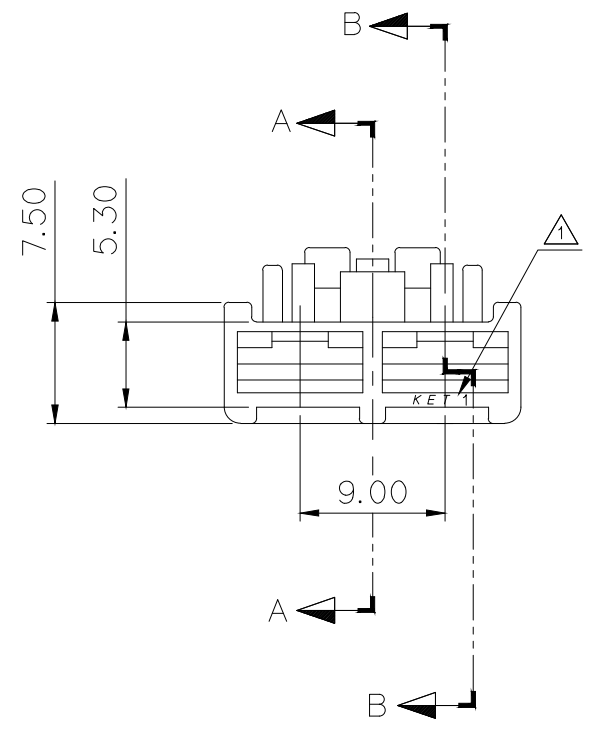
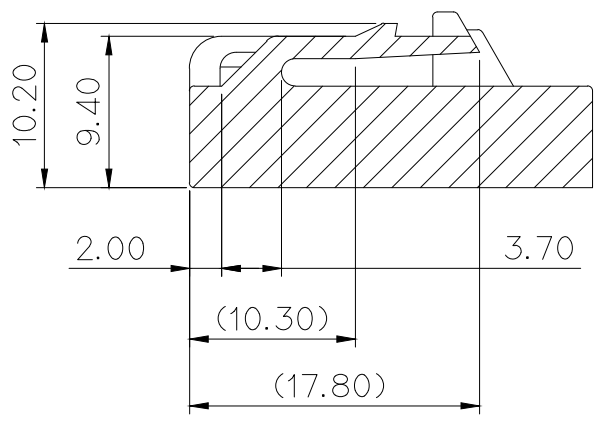


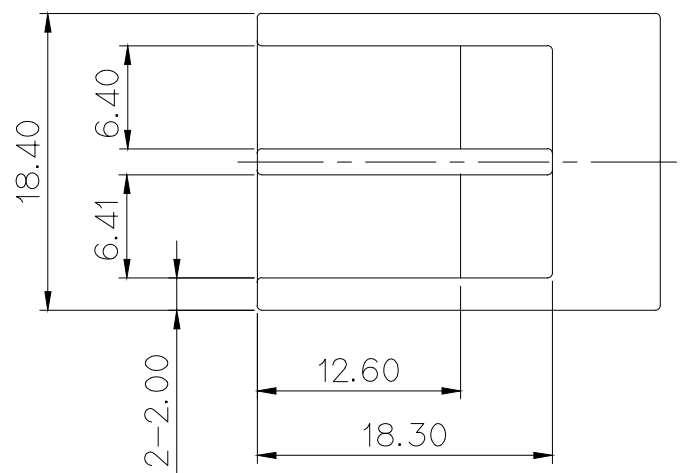
DETAIL E
(S= 2/1)



SECTION B-B



SECTION A-A

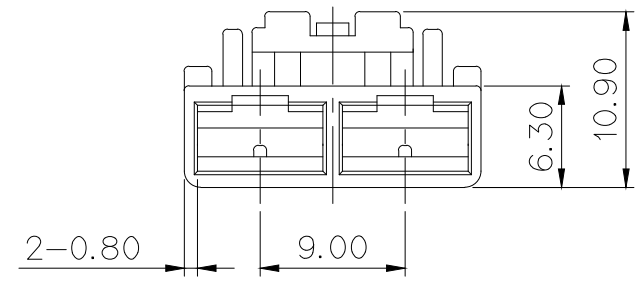


GENERAL TOLERANCE (HOUSING)									USED ON
10MAX	30MAX	50MAX	70MAX	100MAX	120MAX	250MAX	250VR	ANGLE	
±0.15	±0.20	±0.30	±0.40	±0.50	±0.75	±0.9	±1.4	±30'	

주 기

1. 지시하지 않은 반경 R은 0.3 로 한다
2. 기능상 유해한 BURR 및 WELDLINE등이 없을것.
- △ 3. KET 문자 : 기울기 15°(H; 0.1~0.2, SIZE; 1.0)
CAVITY NO.: 기울기 0°(H; 0.1~0.2, SIZE; 1.0)
4. 제품내 함유된 6대 유해물질 (납, 수은, 카드뮴, 6가 크롬, PBBs, PBDEs)은 EU ELV 지침 및 RoHS 법규에서 지정한 최대 허용 농도를 초과해서는 안된다.

NO.	MATERIAL	COLOR
0	P B T (GLASS 15%)	NATURAL
1		RED
2		BLUE
20		JADE
3		YELLOW
4		GRAY
40		DARK GRAY
41		LIGHT GRAY
* 5		BLACK
6		DARK GREEN
7		BROWN
8		LIGHT GREEN
9	MAGENTA	
11	ORANGE	



NOTE

1. UNLESS OTHERWISE SPECIFIED ALL RADIUS TO BE 0.3 RADIUS.
2. MUST BE FREE OF BURR AND WELDLINE THAT AFFECT FUNCTION.
- △ 3. KET MARK : TAPER 15° (H; 0.1~0.2, SIZE; 1.0)
CAVITY NO. : TAPER 0°(H; 0.1~0.2, SIZE; 1.0)
4. 6 HAZARDOUS SUBSTANCES IN PARTS (LEAD, MERCURY, CADMIUM, HEXAVALENT CHROMIUM, PBDEs) SHALL NOT EXCEED THE MAXIMUM PERMISSIBLE CONCENTRATION PRESCRIBED UNDER EU ELV DIRECTIVE.

APPROVED
2020-12-09
KOREA ELECTRIC
TERMINAL CO., LTD.
Korea Electric Terminal Co., LTD.

ISSUE MARK

				MATERIAL	SEE TABLE		KOREA ELECTRIC TERMINAL CO., LTD.
				FINISH	SEE TABLE		
				WIRE RANGE		CLASS	
				INSULATION		TYPE	
△	설계사양변경(S060267)근거 도면 재작성 (MARK위치 및 SIZE변경)	KBS	HSH	KKJ	'06.10.10		
LTR	REVISION RECORD	DR.	CHK.	APP.	DATE	TOLERANCE EXCEPT AS NOTED	SCALE 2/1
DR.	경	91.3.13	CHK.	JJH	91.3.13	PART NO.	MG610422
CHK.	JWK	91.3.13	APP.	WAT	91.3.13	PART NAME FUEL PUMP 250 2F HOUSING	