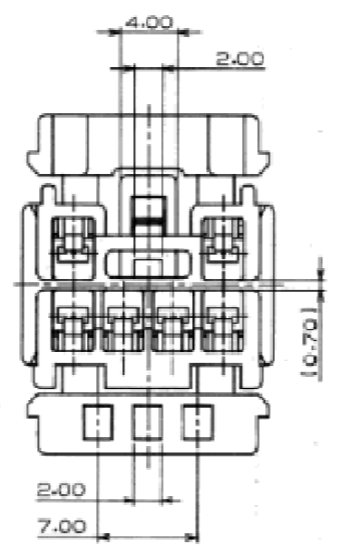
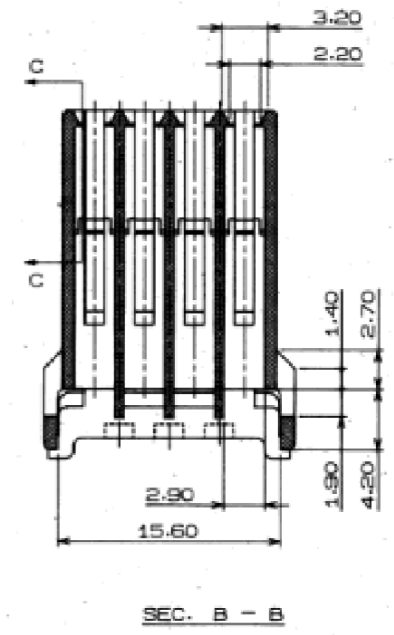
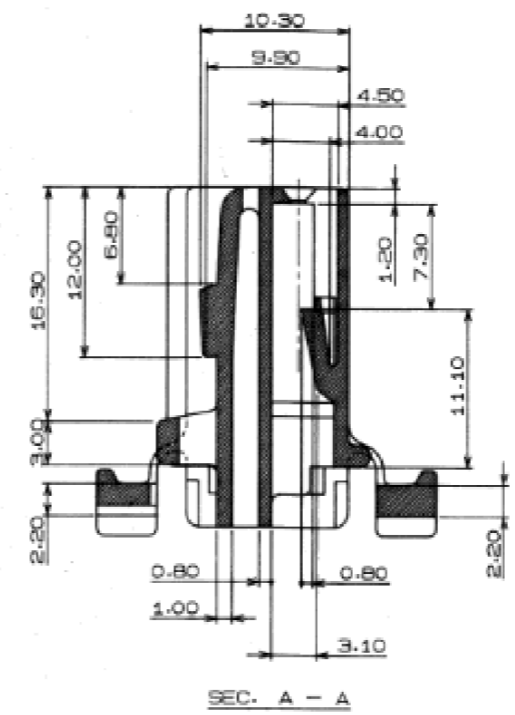
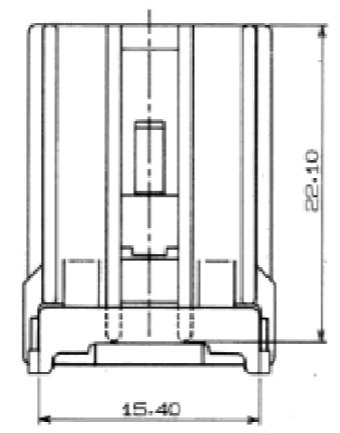
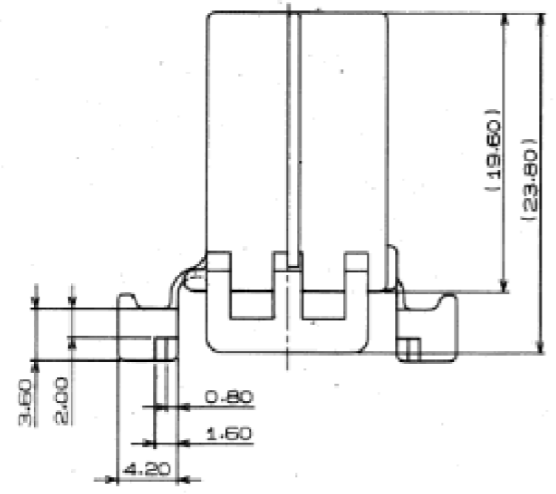
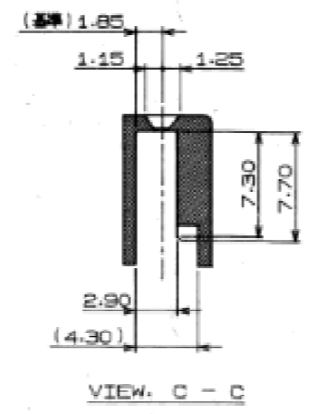
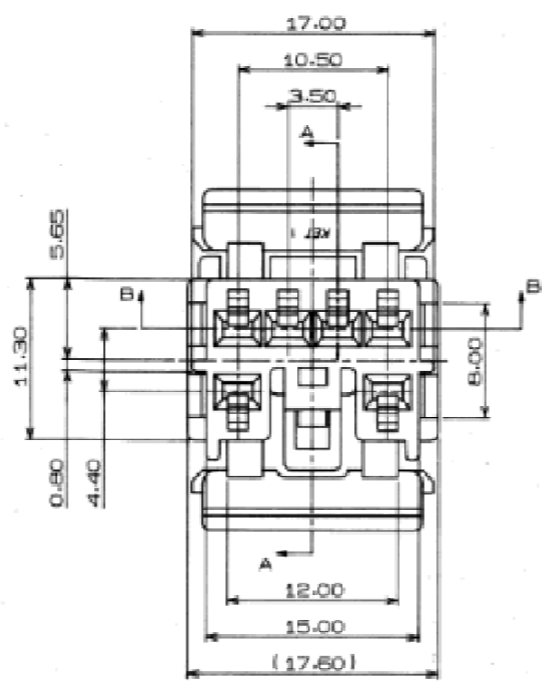


M6610398

USED ON  
M6620401  
ST 730497

NO	MATERIAL	COLOR
0	P B T	NATURAL
1		RED
2		BLUE
3		YELLOW
4		GRAY
5		BLACK
6		W/GREEN
7		BROWN
8		GREEN



- 注意
1. 通用 TERMINAL : ST 130499, ST 130498  
△ ST 131411
  2. REC' HOUSING : MG 620401 (7122-8365)
  3. HINGE 部位 : WELDLINE 継ぎ目.
  4. KET 文字, CAVITY NO : △ TYPE, 角度 15°  
(文字h=0.1-0.2, SIZE=1.0)

CUSTOMER DRAWING			
DR MATERIAL	SEE TABLE	<b>KET</b>	KOREA ELECTRIC TERMINAL CO., LTD.
DR FINISH	SEE TABLE		
DR WIRE RANGE		DR (CLASS)	
DR INSULATION DIA		DR (TYPE)	7123-8365
LTR	E 2 REVISION RECORD	DR SCALE	3/4
DR NO. 10.17.91	DATE	DR (NO.)	MG 610398
CHK. J. W. Kim	DATE	DR NAME	SOL PLUG HS' G 6P