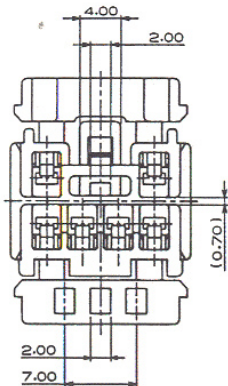
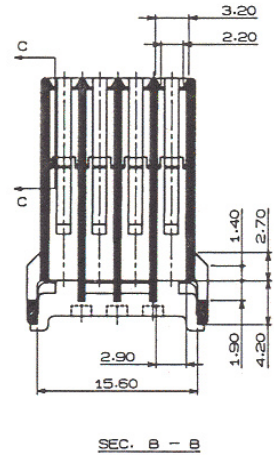
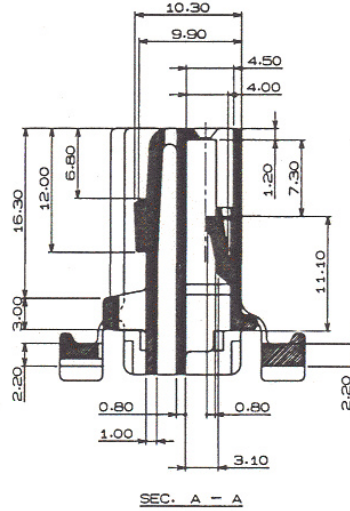
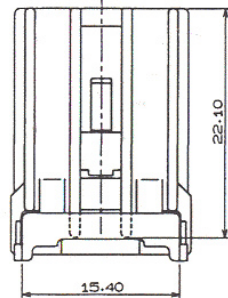
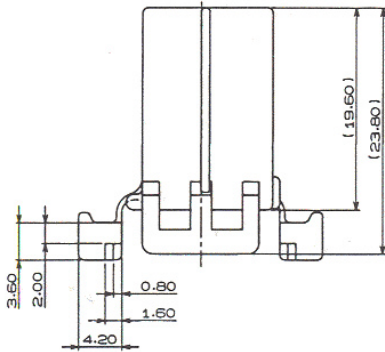
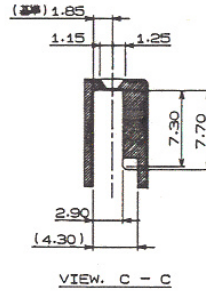
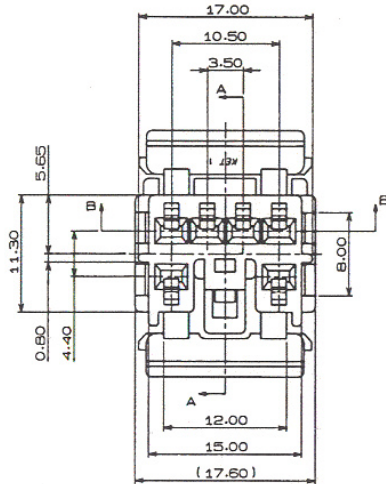


NO	MATERIAL	COLOR
0	P B T	NATURAL
1		RED
2		BLUE
3		YELLOW
4		GRAY
5		BLACK
6		W/GREEN
7		BROWN
8	GREEN	



注記

1. 通用 TERMINAL : ST730497-3, ST730497 (AU)
ST730498-3, ST730498 (AU)
2. REC' HOUSING : MG 620401 (7122-8365)
3. HINGE 部位 : WELDLINE 線入れ
4. KET 文字, CAVITY NO : 凸 TYPE, 句配 15'
(文字=0.1-0.2, SIZE=1.0)

CUSTOMER DRAWING

LTR		REV #	REVISION RECORD	DR	CHK	DATE	DESIGN	SCALE	SHEET	NO.	
DR. 10.17.91		DE									
CHK. J. W. Kim		APP									
MATERIAL		SEE TABLE		FINISH		SEE TABLE		WIRE RANGE		SEE TABLE	
INSULATION DIA		SEE TABLE		INSULATION DIA		SEE TABLE		CLASS.		7123-8365	
TYPE		SEE TABLE		TYPE		SEE TABLE		TYPE		MG 610398	
SCALE		3/1		SCALE		3/1		SCALE		3/1	
NAME		SOL PLUG HS' G 6P		NAME		SOL PLUG HS' G 6P		NAME		SOL PLUG HS' G 6P	



KOREA ELECTRIC
TERMINAL CO. LTD