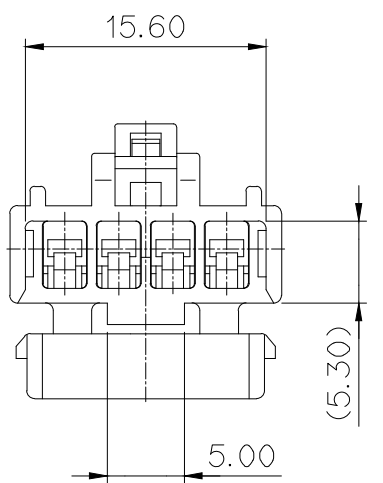
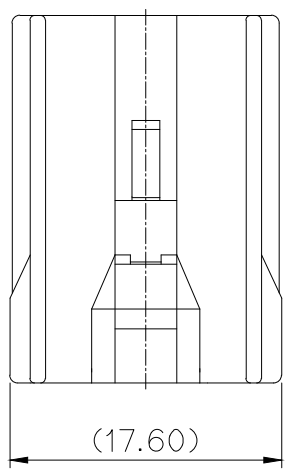
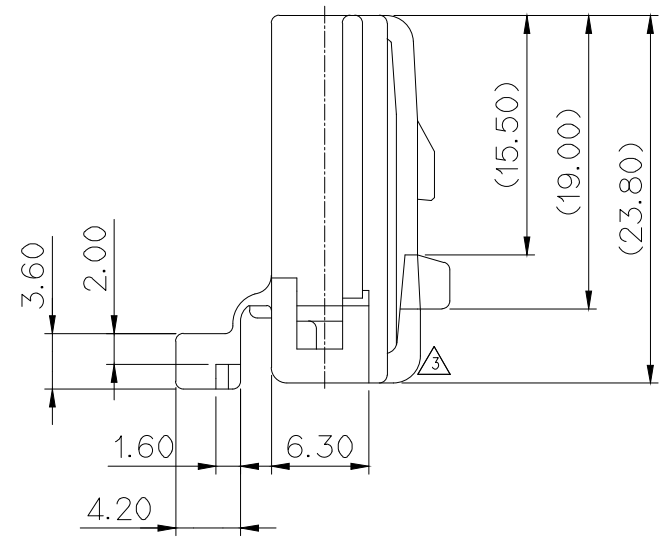
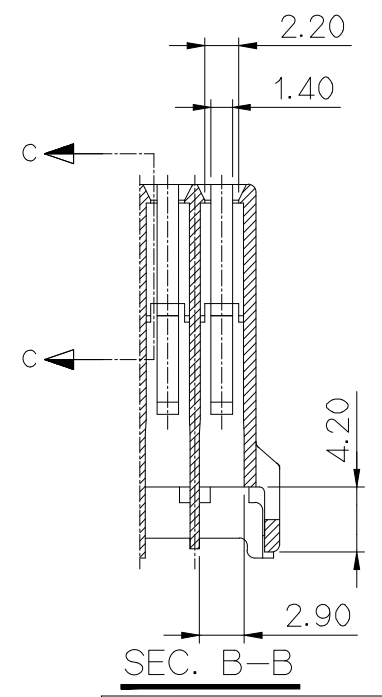
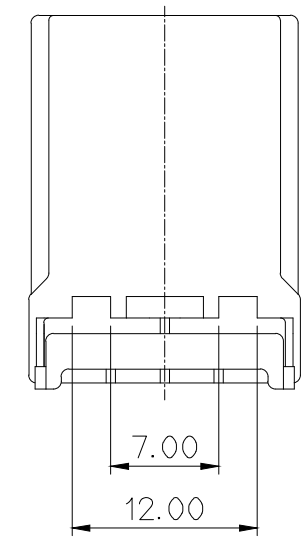
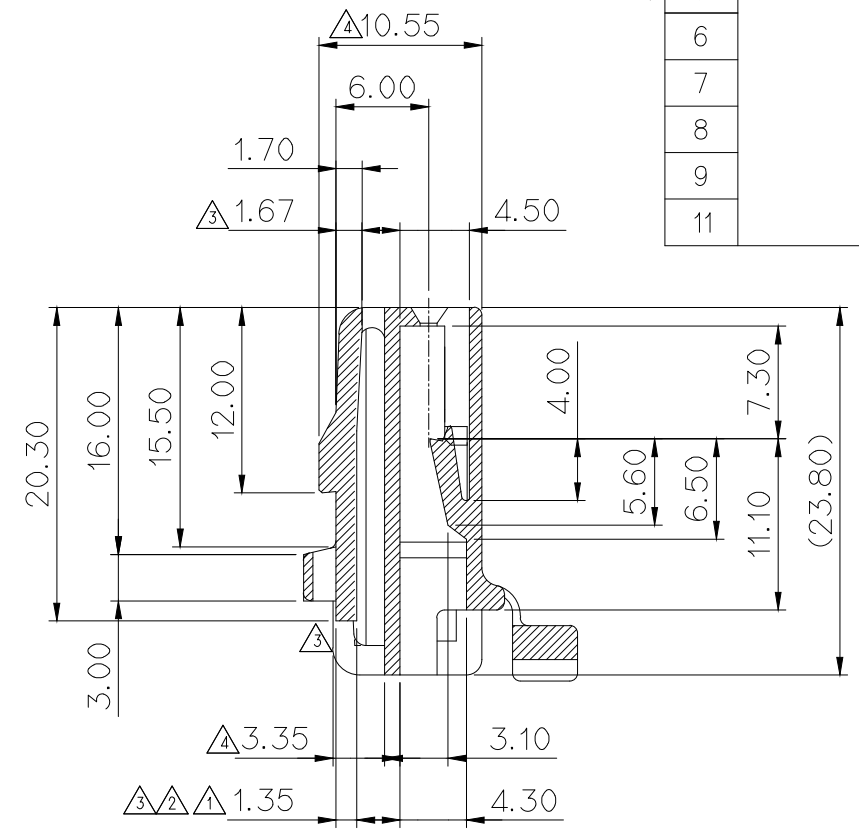
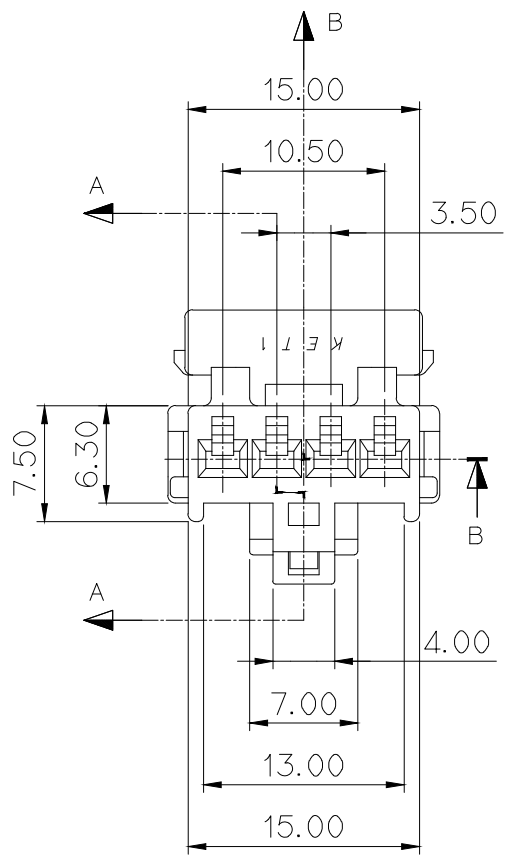


GENERAL TOLERANCE (HOUSING)							USED ON
10MAX	50MAX	100MAX	250MAX	250VR	ANGLE	ECCENT	
±0.2	±0.3	±0.55	±0.95	±1.4	±30'	0.1	

△ NO.	MATERIAL	COLOR
* 0	PBT	NATURAL
1		RED
2		BLUE
20		JADE
* 3		YELLOW
* 4		GRAY
40		DARK GRAY
41		LIGHT GRAY
* 5		BLACK
6		DARK GREEN
7		BROWN
8	LIGHT GREEN	
9	MAGENTA	
11	ORANGE	



주 기
 1. 적용 TERMINAL: ST730497-3, ST730497(Au)
 ST730498-3, ST730498(Au)
 2. 적용 HOUSING: MG620397 (7122-8345)

NOTE
 1. APPLICABLE TERMINAL :ST730497-3, 497 (Au)
 ST730498-3, 498 (Au)
 2. APPLICABLE HOUSING :MG620397 (7122-8345)

APPROVED
 2017-08-10
 KOREA ELECTRIC
 TERMINAL CO., LTD.
 Korea Electric Te
 rminat Co., LTD.

LTR	REVISION RECORD	DR.	CHK.	APP.	DATE	TOLERANCE EXCEPT AS NOTED	SCALE	PART NO.
△	ECO-1607-039 근거 도면 변경 (치수 현실화, 색상 TABLE 최신화)	YSS	KMH	LSY	'16.07.04	SEE TABLE	2/1	MG610396
△	ECO-1310-068 근거 도면 제작성	KJH		CWK	'13.10.11	SEE TABLE		
△	실계사양변경(ECO-1201-023)근거 도면 제작성 -LOCK LEVER 강성 보강	HYJ	CSH	HSJ	'12.01.03			
△	치수변경(LOCK ARM 탄성개선)	SIK		KCC	'94.04.12			
DR.	元 91.03.05	CHK.						
CHK.	S. wkw	APP.						

MATERIAL SEE TABLE
 FINISH SEE TABLE
 WIRE RANGE CLASS
 INSULATION TYPE 7123-8345
 PART NAME SDL 4P PLUG HS'G