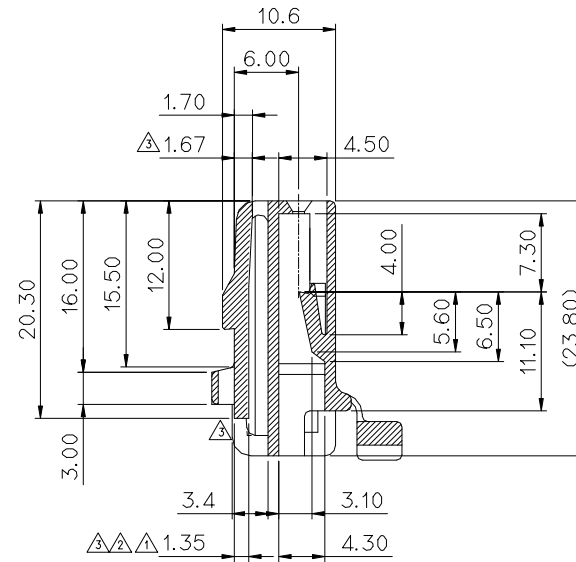
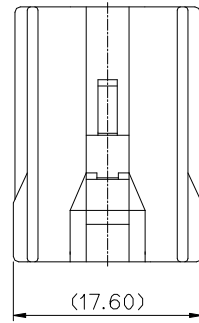
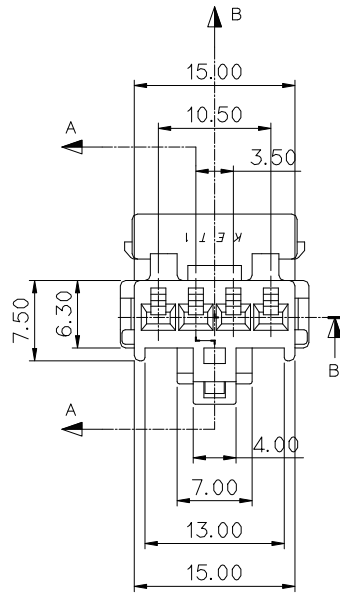
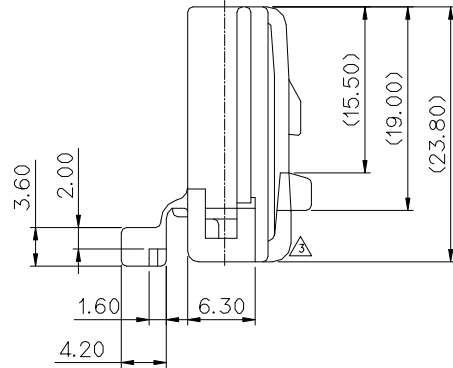
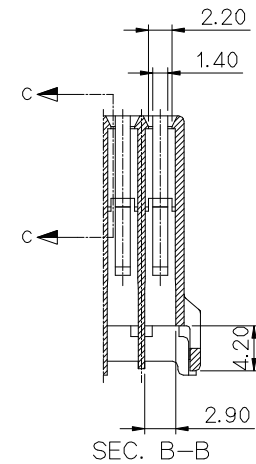
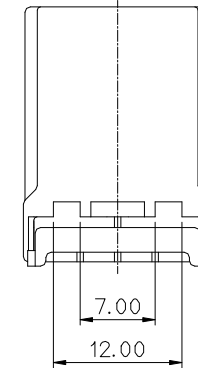


| GENERAL TOLERANCE (HOUSING) | | | | | | | USED ON |
|-----------------------------|-------|--------|--------|-------|-------|--------|---------|
| 10MAX | 50MAX | 100MAX | 250MAX | 250VR | ANGLE | ECCENT | |
| ±0.2 | ±0.3 | ±0.55 | ±0.95 | ±1.4 | ±30' | 0.1 | |

| NO. | MATERIAL | COLOR |
|-----|----------|---------|
| 0 | P B T | NATURAL |
| 1 | | RED |
| 2 | | BLUE |
| 3 | | YELLOW |
| 4 | | GRAY |
| 5 | | BLACK |
| 6 | | W/GREEN |
| 7 | | BROWN |
| 8 | | GREEN |



SEC. A-A



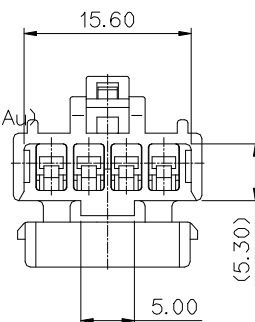
SEC. B-B

~S_ ~!_J

1. ^-'%|^R'-|P TERMINAL: ST730497-3, ST730497(Au)
ST730498-3, ST730498(Au)
2. ^-'%|^R'-|P HOUSING: MG620397 (7122-8345)

NOTE

1. APPLICABLE TERMINAL :ST730497-3, 497 (Au)
ST730498-3, 498 (Au)
2. APPLICABLE HOUSING :MG620397 (7122-8345)



ISSUE MARK

| | | | | | | |
|------|----------|----------|------|----------------------------|----------------|---|
| | | | | MATERIAL | SEE TABLE | KIET KOREA ELECTRIC ENGINEERED TERMINAL CO., LTD. |
| | | | | FINISH | SEE TABLE | |
| | | | | WIRE RANGE | CLASS | |
| | | | | INSULATION | TYPE 7123-8345 | |
| LTR | REVISION | RECORD | DR. | CHK. | APP. | DATE |
| DR. | 元 | 91.03.05 | CHK. | | | |
| CHK. | S. w | | APP. | | | |
| | | | | TOLERANCE EXCEPT AS NOTED | SCALE 2/1 | PART NO. MG610396 |
| | | | | PART NAME SDL 4P PLUG HS'G | | |