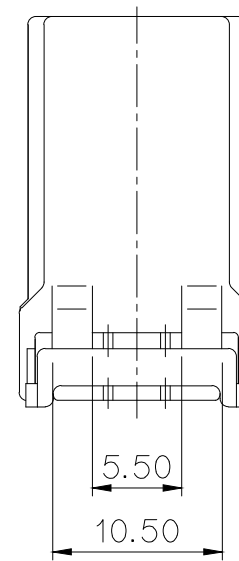
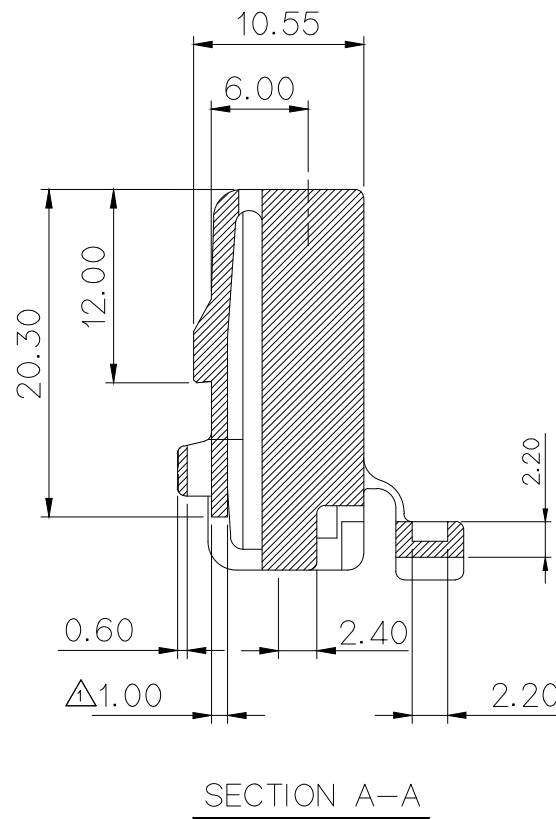
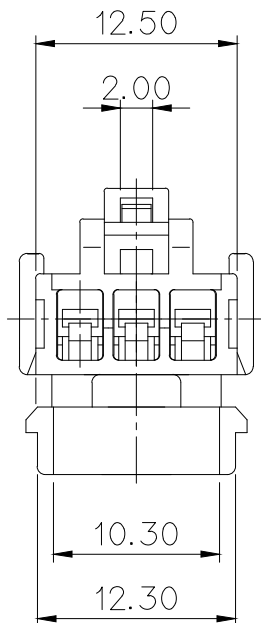
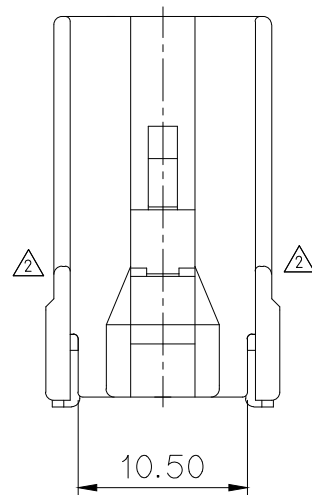
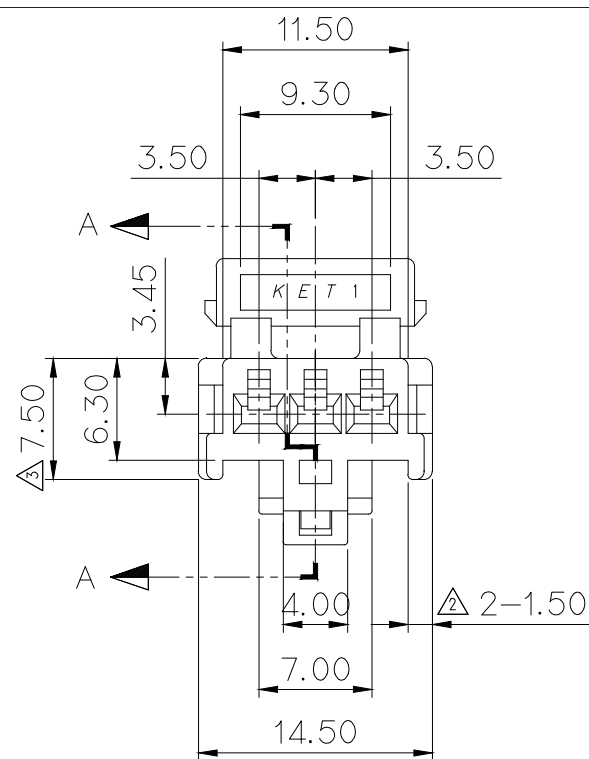
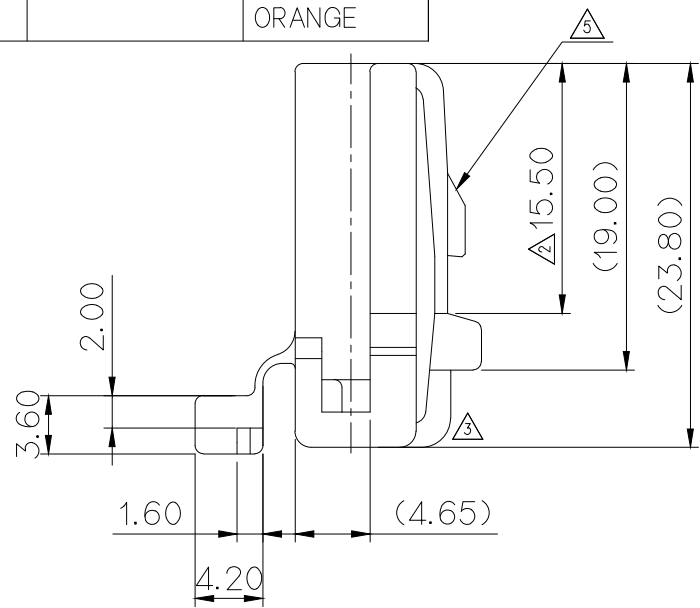


NO.	MATERIAL	COLOR
* 0	P B T	NATURAL
1		RED
2		BLUE
20		JADE
* 3		YELLOW
* 4		GRAY
40		DARK GRAY
41		LIGHT GRAY
* 5		BLACK
6		DARK GREEN
7		BROWN
8	LIGHT GREEN	
9	MAGENTA	
11	ORANGE	



주 기

- 기능상 유해한 BURR 및 변형이 없을 것.
- 적용 부품: (1)REC' TERM': ST730497-3, ST730498-3, △ST731417-3
(2)REC' HS'G: MG620395
- HINGE부에는 WELD LINE 없을것.
- KET 문자, CAVITY NO: △, TYPE: 구배15°.
- △ 제품내 함유된 6대 유해물질 (납, 수은, 카드뮴, 6가크롬, PBBs, PBDEs)은 EU ELV 지침 및 RoHS 법규에서 지정한 최대 허용 농도를 초과해서는 안된다.

NOTE

- MUST BE FREE OF FLASH, SINK AND IMPERFECTION THAT AFFECT FUNCTION.
- APPLICABLE TERMINAL: ST730497-3, ST730498-3, △ST731417-3
HOUSING: MG620395
- NO WELD LINE AROUND HINGE AREA
- KET MARK, CAVITY NO : △, TYPE : TAPER15°.
- △ 6 HAZARDOUS SUBSTANCES IN PARTS (LEAD, MERCURY, CADMIUM, HEXAVALENT CHROMIUM, PBBs, PBDEs) SHALL NOT EXCEED THE MAXIMUM PERMISSIBLE CONCENTRATION PRESCRIBED UNDER EU ELV DIRECTIVE & RoHS REGULATION.

APPROVED
2021-01-07
KOREA ELECTRIC
TERMINAL CO., LTD.
Korea Electric Te
rminal Co., LTD.

△	ECO-2006-088	큰거 도면 변경	SKM	HYJ	CJH	'20.06.09	MATERIAL	SEE TABLE	KOREA ELECTRIC TERMINAL CO., LTD.			
△	ECO-1605-335	큰거 도면 변경	KCS	CKY	LSY	'16.06.07	FINISH	SEE TABLE				
△	시방변경000166	외거도면재작성	LSY	KKJ	JJH	'00.07.13	WIRE RANGE		CLASS			
△	시방변경980245	큰거수정(10곳)	JIN	KKJ	JJH	'98.10.19	INSULATION		TYPE			
△	LOCK ARM	탄성개선	JIN	SIK	JJH	'94.03.18						
LTR	REVISION RECORD		DR.	CHK.	APP.	DATE	TOLERANCE EXCEPT AS NOTED	±0.2	SCALE	2/1	PART NO.	MG610394
	DR.	KYUNG.	92.11.9	CHK.	JJH.	92.11.9	PART NAME		SDL PLUG HS'G 3P			
	CHK.	JWK.	92.11.9	APP.	WAT.	92.11.9						