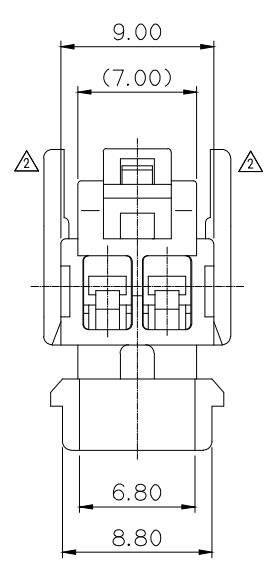
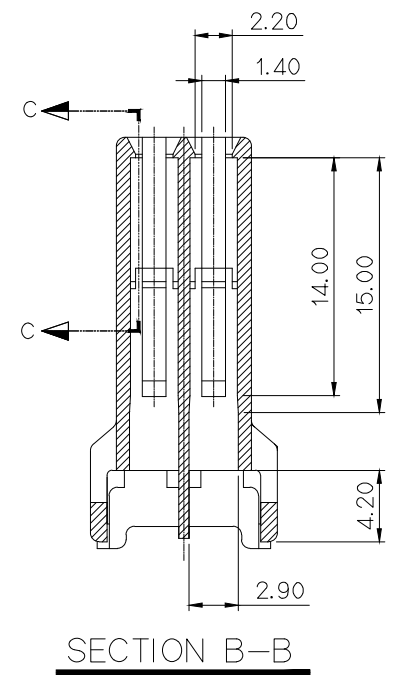
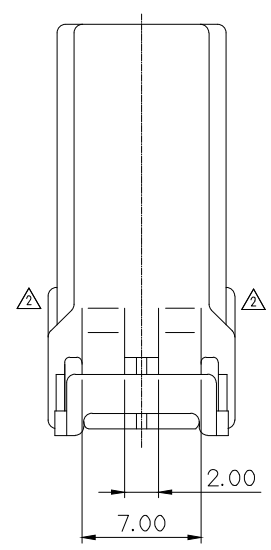
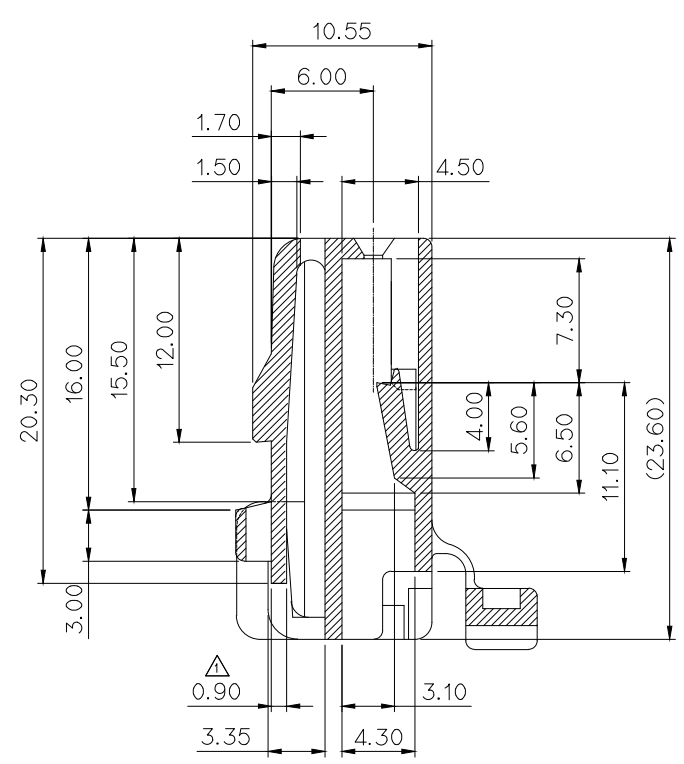
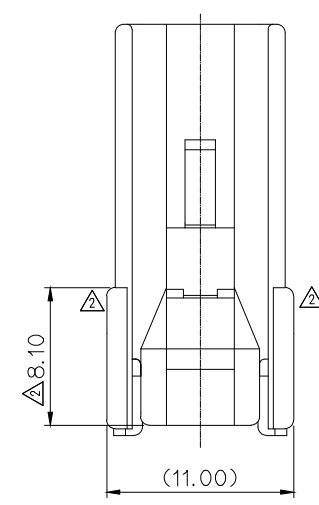
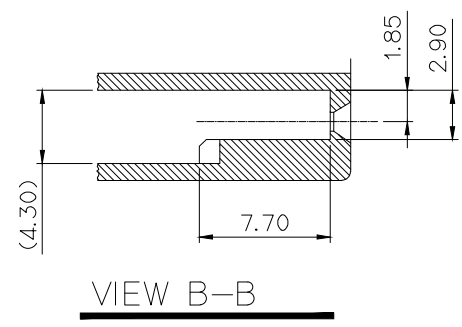
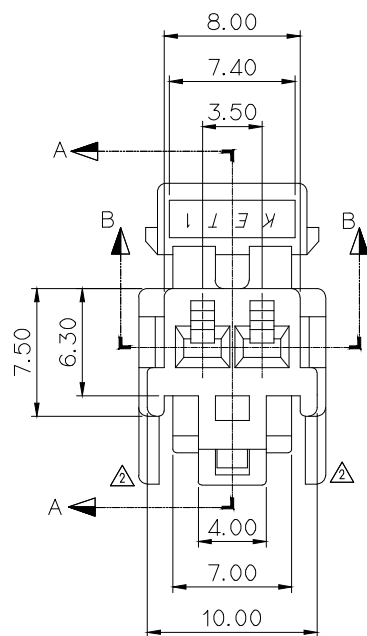
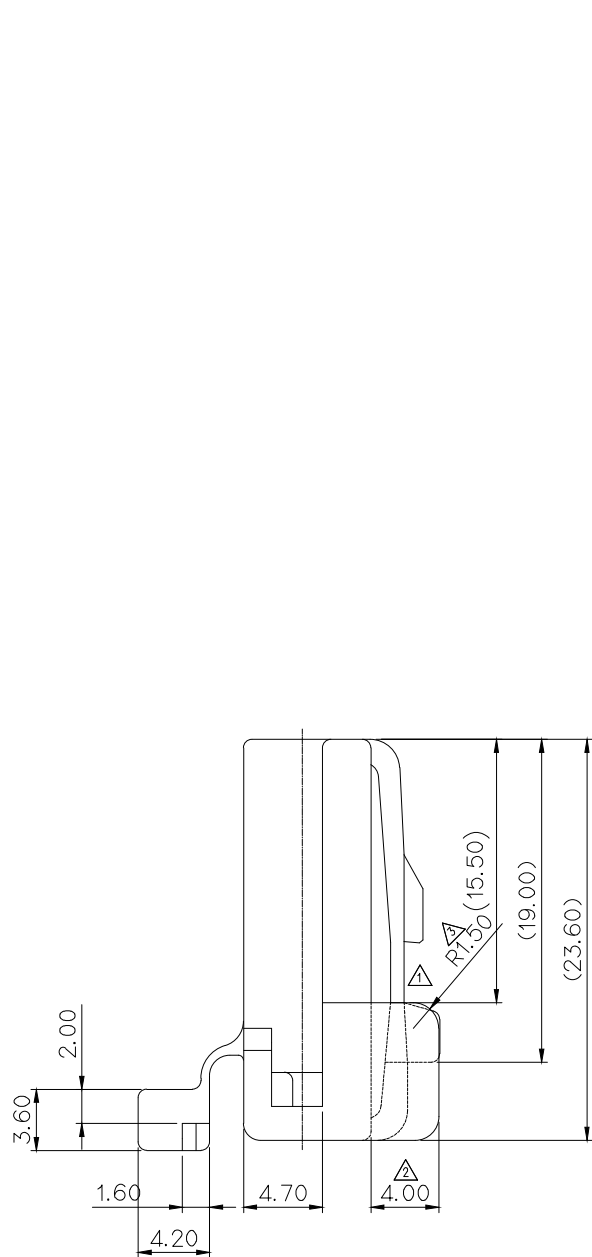


GENERAL TOLERANCE (HOUSING)							USED ON
10MAX	50MAX	100MAX	250MAX	250VR	ANGLE	ECCENT	
±0.2	±0.3	±0.55	±0.95	±1.4	±30'	0.1	



SECTION A-A

SECTION B-B

주 기

- 적용 TERMINAL: ST730497-3, ST730497-G
ST730498-3, ST730498-G
- 적용 HOUSING: MG620393 (7122-8326)
- HINGE 부위 : WELDLINE 없을 것.

APPROVED
2017-08-10
KOREA ELECTRIC
TERMINAL CO., LTD.
Korea Electric Terminal Co., LTD.

ISSUE MARK

		MATERIAL		PBT		KIET KOREA ELECTRIC ENGINEERED TERMINAL CO., LTD.	
		FINISH		NATURAL			
시정변경 050180극기 수정 (7곳)		YSW	05.08.11		WIRE RANGE		
시정변경 990003극기 수정 (7곳)		INO	99.01.08		CLASS		
LOCK ARM 탄성 개선 (CU요구)			93.10.30		INSULATION		
LTR	REVISION RECORD	DR.	CHK.	APP.	DATE	TOLERANCE EXCEPT AS NOTED	
DR.	91.02.20	CHK.			SCALE	PART NO.	
CHK.		APP.			3/1	MG610392	
						PART NAME	
						SDL 2F HOUSING	

TYPE 7123-8626

PART NO. MG610392

SCALE 3/1

TOLERANCE EXCEPT AS NOTED

DATE

APP.

CHK.

DR.