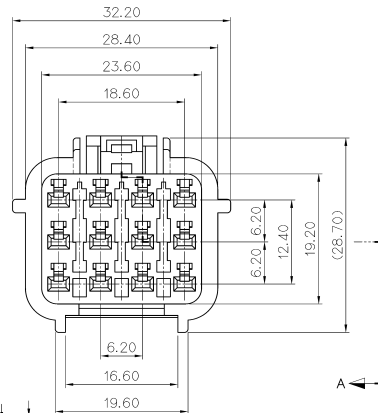
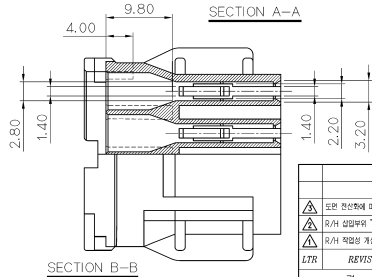
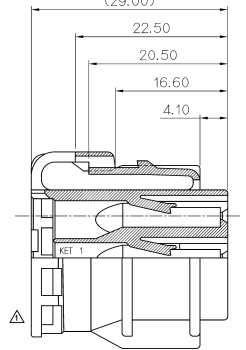
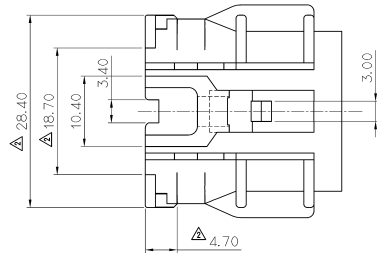
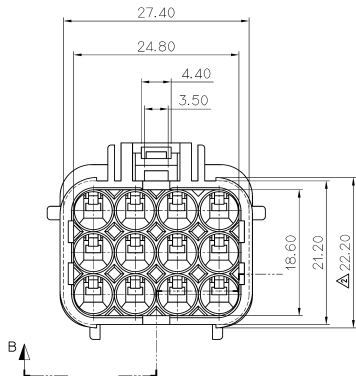


| NO. | MATERIAL | COLOR |
|-----|----------|-------------|
| 0 | | NATURAL |
| 1 | P B T | RED |
| 2 | | BLUE |
| 3 | | YELLOW |
| 4 | | GRAY |
| 40 | | DARK GRAY |
| 41 | | LIGHT GRAY |
| 5 | | BLACK |
| 6 | | DARK GREEN |
| 7 | | BROWN |
| 8 | | LIGHT GREEN |
| 9 | | MAGENTA |
| 11 | | ORANGE |



| GENERAL TOLERANCE (HOUSING) | | | | | | | USED ON |
|-----------------------------|-------|--------|--------|-------|-------|--------|---------|
| 10MAX | 50MAX | 100MAX | 250MAX | 250VR | ANGLE | ECCENT | |
| ±0.2 | ±0.3 | ±0.55 | ±0.95 | ±1.4 | ±30' | 0.1 | |

주 기

- 1.기능상 유해한 BURR 및 WELDLINE 등이 없을것.
- 2.적용 TERMINAL : ST730495, 496
- 적용 HOUSING : MG640348 (7222-7923)
- 적용 REAR HOLDER : MG630349



| | | |
|---------------------|------------------|--------------------------------------|
| MATERIAL | SEE TABLE | KOREA ELECTRIC TERMINAL CO., LTD. |
| FINISH | SEE TABLE | |
| WIRE RANGE | | CLASS 070 |
| INSULATION | | TYPE 7123-7923 |
| LTR REVISION RECORD | DR CHK APP DATE | PART NO. MG610346 |
| DR. 김 '91.11.30 | CHK | |
| CHK. S. W. Kim | APP. [Signature] | |
| PART NAME | | SWP 12F HOUSING |