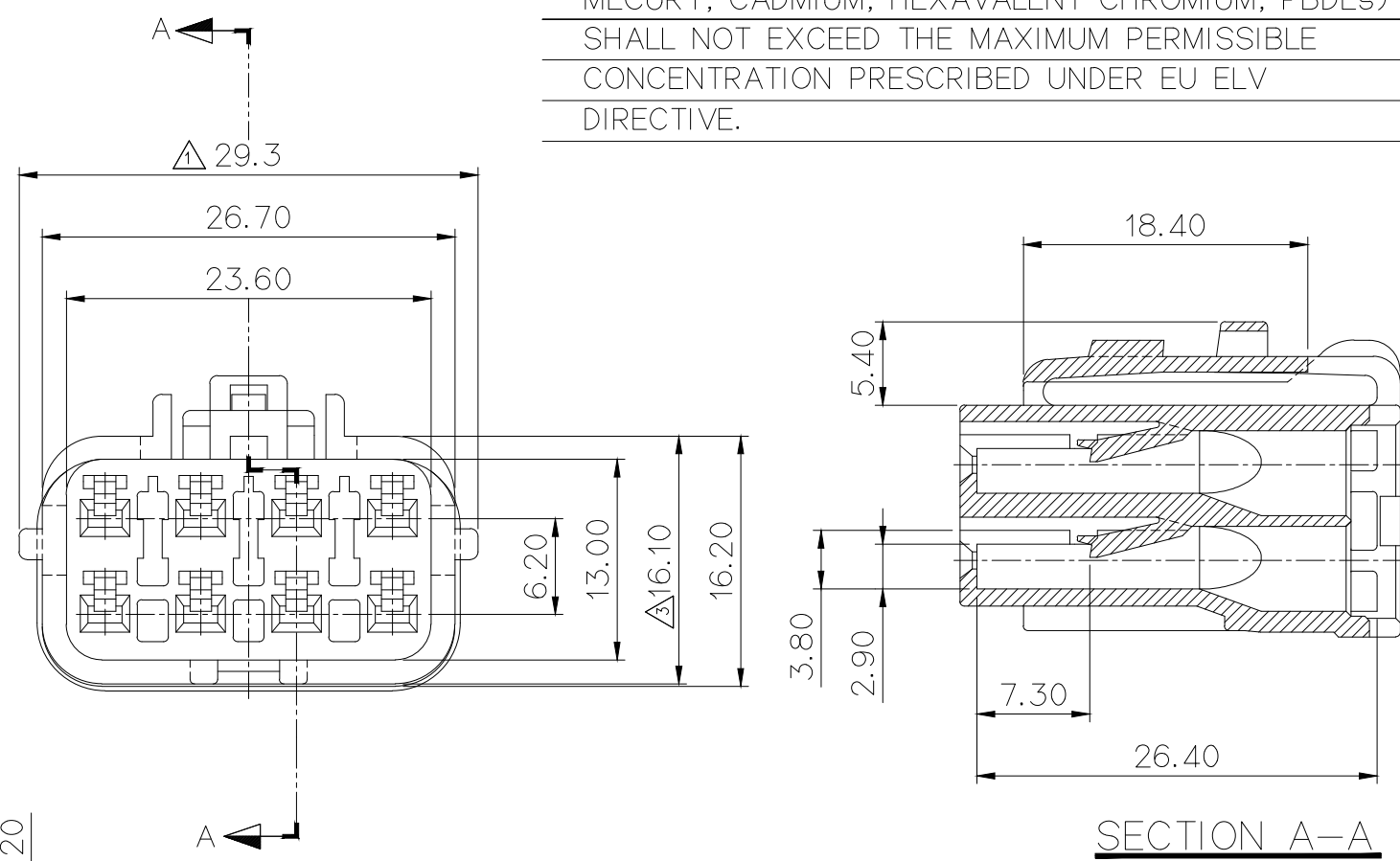
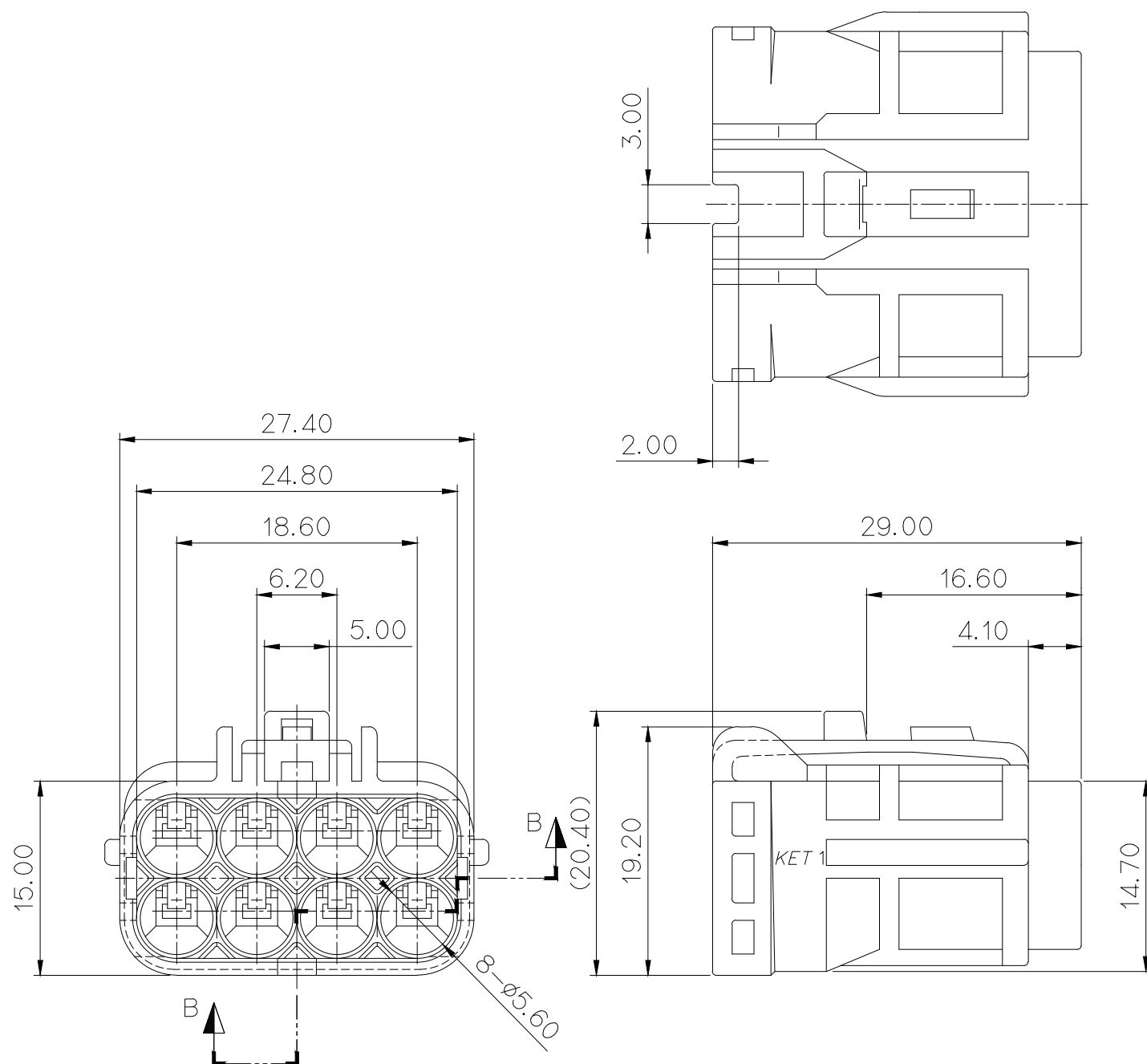
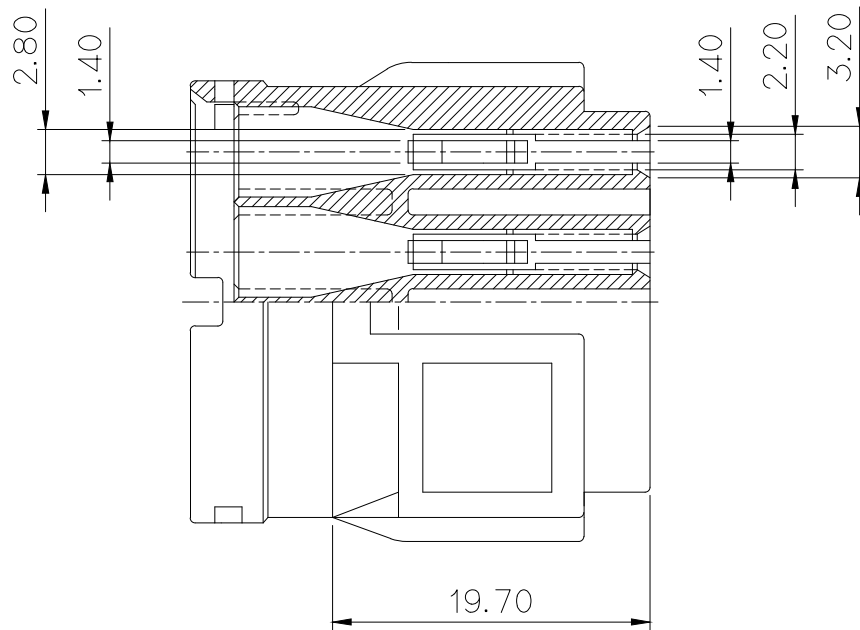


GENERAL TOLERANCE (HOUSING)					USED ON
10MAX	20MAX	45MAX	ANGLE	ECCENT	
±0.2	±0.25	±0.3	±30'	0.1	



- NOTE**
- MUST BE FREE OF FLASH, SINK AND IMPERFECTION THAT AFFECT FUNCTION.
 - APPLICABLE TERMINAL : ST730495, ST730796
APPLICABLE HOUSING : MG640341(7222-7484)
APPLICABLE REAR HOLDER : MG630345
 - 6 HAZARDOUS SUBSTANCES IN PARTS (LEAD, MERCURY, CADMIUM, HEXAVALENT CHROMIUM, PBBs) SHALL NOT EXCEED THE MAXIMUM PERMISSIBLE CONCENTRATION PRESCRIBED UNDER EU ELV DIRECTIVE.



SECTION B-B

NO.	MATERIAL	COLOR
0	P B T	NATURAL
1		RED
2		BLUE
20		JADE
3		YELLOW
4		GRAY
40		DARK GRAY
41		LIGHT GRAY
5		BLACK
6		DARK GREEN
7		BROWN
8		LIGHT GREEN
9		MAGENTA
11		ORANGE

주 기

- 기능상 유해한 BURR 및 WELDLINE등이 없을것.
- 적용 TERMINAL : ST730495, ST730796
적용 HOUSING : MG640341(7222-7484)
적용 REAR HOLDER : MG630345
- 제품내 함유된 6대 유해물질 (납, 수은, 카드뮴, 6가 크롬, PBBs, PBDEs)은 EU ELV 지침 및 RoHS 법규에서 지정한 최대 허용 농도를 초과해서는 안된다.

APPROVED
2021-10-22
KOREA ELECTRIC
TERMINAL CO., LTD.
Korea Electric Terminal Co., LTD.

ISSUE MARK

		MATERIAL		SEE TABLE	KET KOREA ELECTRIC ENGINEERED TERMINAL CO., LTD.
		FINISH		SEE TABLE	
3	ECO-2108-272 근거 도면 제작성	LND	KSC	HYJ	21.08.24
2	ECO-1907-052 근거 도면 제작성	KJH	HYJ	CJH	19.07.03
1	시방 변경 근거 도면 변경	MKNO	KKJ	KCH	05.03.25
LTR	REVISION RECORD	DR.	CHK.	APP.	DATE
DR.	KKJ	11.29.91	CHK.		
CHK.	JWK		APP.	Watanabe	
		TOLERANCE EXCEPT AS NOTED		SEE TABLE	SCALE 2/1
		PART NAME		SWP 8P PLUG HOUSING	
		PART NO.		MG610339	