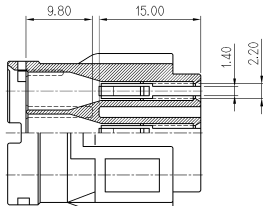
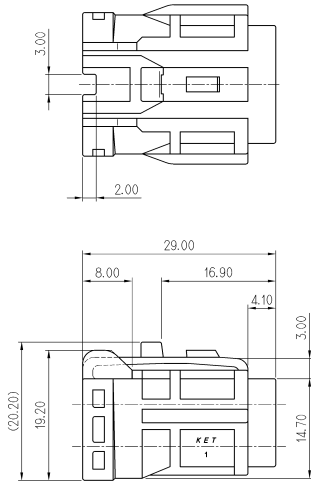
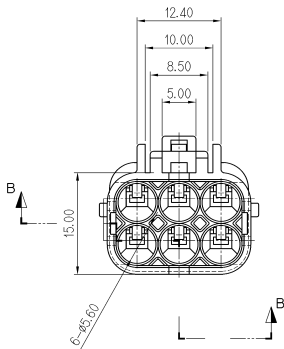
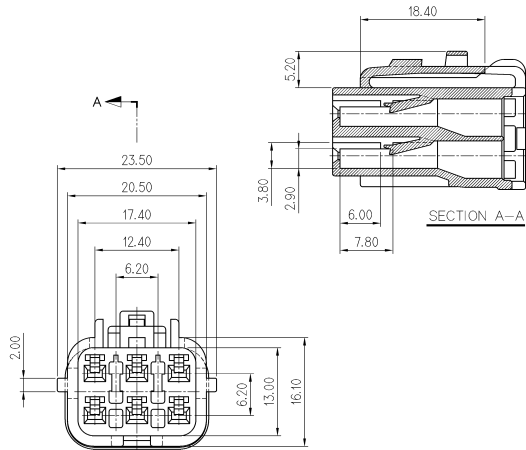


NO.	MATERIAL	COLOR
0	P B T	NATURAL
1		RED
2		BLUE
3		YELLOW
4		GRAY
40		DARK GRAY
41		LIGHT GRAY
5		BLACK
6		DARK GREEN
7		BROWN
8		LIGHT GREEN
9	MAGENTA	
11	ORANGE	

GENERAL TOLERANCE (HOUSING)							USED ON
10MAX	50MAX	100MAX	250MAX	250VR	ANGLE	ECCENT	
±0.2	±0.3	±0.55	±0.95	±1.4	±30'	0.1	



SECTION B-B



SECTION A-A

주 기

1. 제품기능상 유해한 BURR, 변형 및 WELDLINE 등이 없을것.
  2. 적용 TERMINAL : ST730495, 496
  3. 적용 HOUSING : MG640337
- 적용 REAR HOLDER : MG630338



						MATERIAL	SEE TABLE	<b>KET</b> ENGINEERING	KOREA ELECTRIC TERMINAL CO., LTD.
						FINISH	SEE TABLE		
						WIRE RANGE		CLASS	
						INSULATION		TYPE	7123-7464
△	모든 견본에 대한 서약	LMJ	MKS	9/05.05.20		INSULATION		PART NO.	MG610335
LTR	REVISION RECORD	DR	CHK	APP.	DATE	TERMINAL REFER IN NOTES	SEE TABLE	SCALE	2/1
DR	9/11.28	CHK				PART NAME		SWP 6F HOUSING	
CHK		APP.							