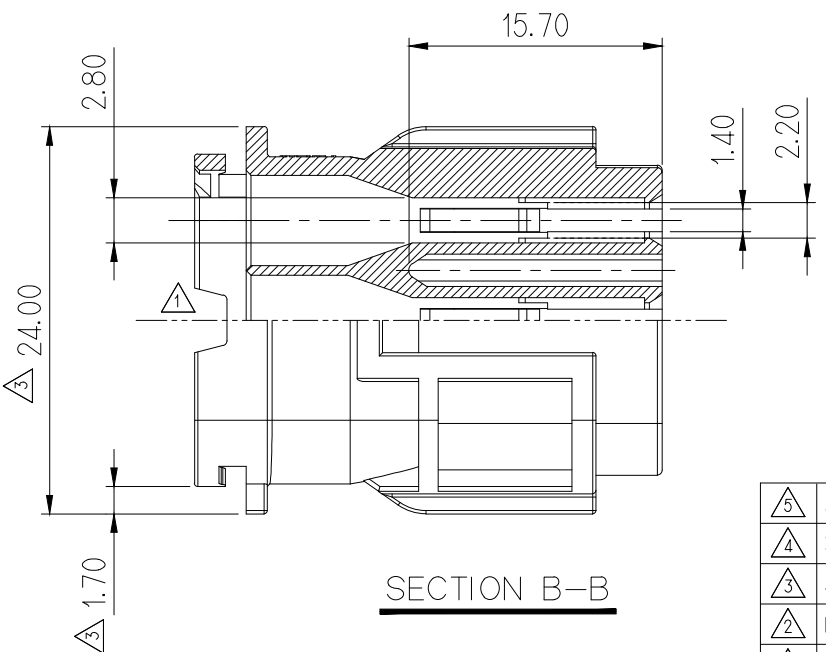
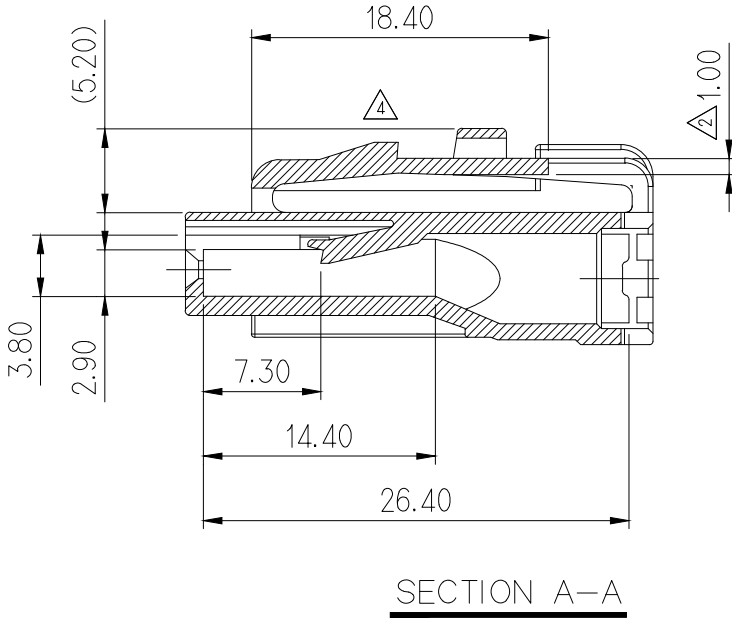
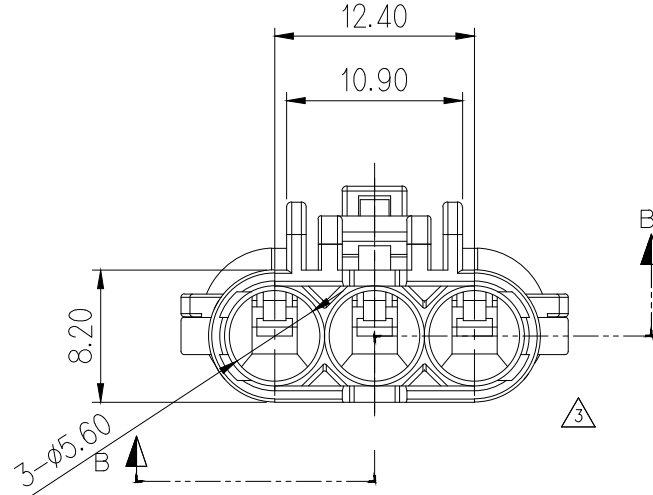
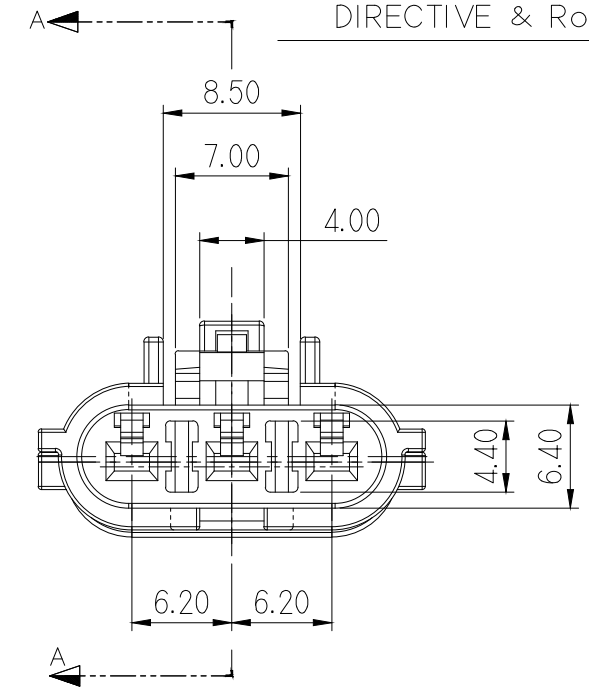
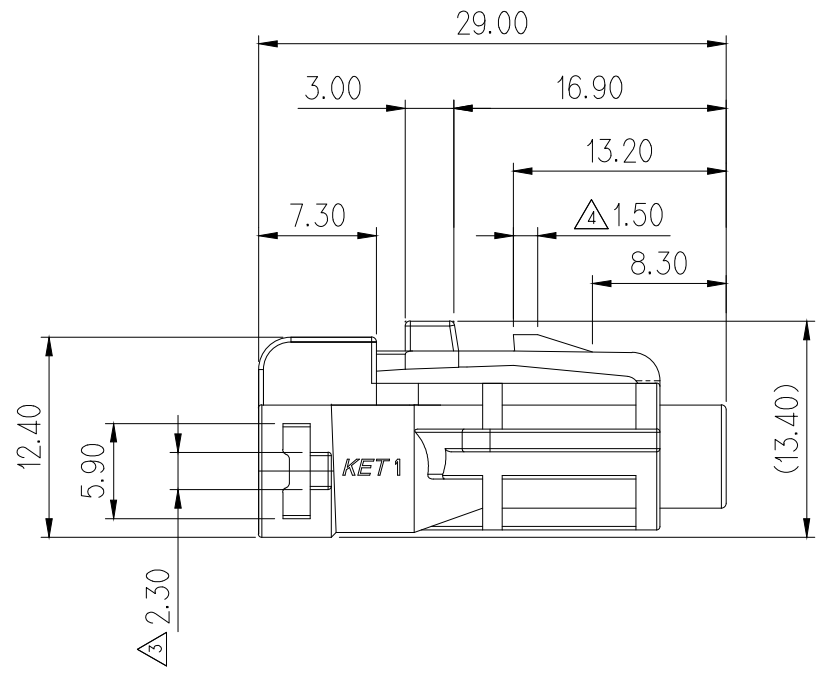
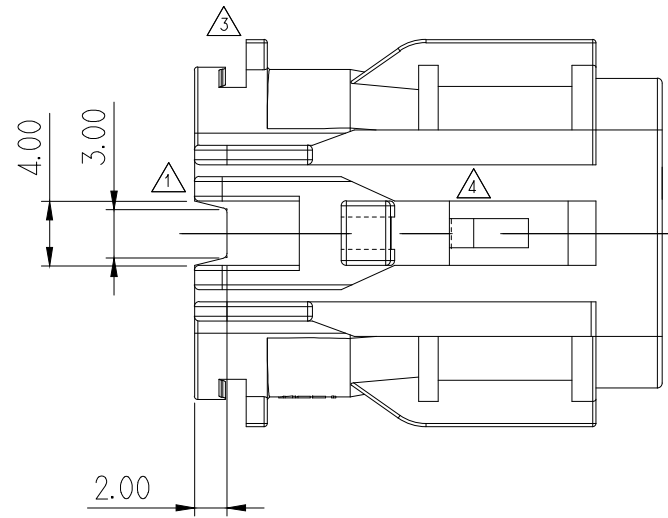


NO.	MATERIAL	COLOR	
△*	0	NATURAL	
1	P B T: (GP1000H)	RED	
2		BLUE	
20		JADE	
3		YELLOW	
△*		4	GRAY
40		DARK GRAY	
41		LIGHT GRAY	
△*		5	BLACK
6		DARK GREEN	
7		BROWN	
8		LIGHT GREEN	
9	MAGENTA		
11	ORANGE		

GENERAL TOLERANCE (HOUSING)							USED ON
10MAX	50MAX	100MAX	250MAX	250VR	ANGLE	ECCENT	
±0.2	±0.3	±0.55	±0.95	±1.4	±30'	0.1	

NOTE

- MUST BE FREE OF FLASH, SINK AND IMPERFECTION THAT AFFECT FUNCTION.
- APPLICABLE TERMINAL : ST730495, ST730496
- APPLICABLE HOUSING : MG640329
APPLICABLE REAR HOLDER : MG630330
- 6 HAZARDOUS SUBSTANCES IN PARTS (LEAD, MERCURY, CADMIUM, HEXAVALENT CHROMIUM, PBBs, PBDEs) SHALL NOT EXCEED THE MAXIMUM PERMISSIBLE CONCENTRATION PRESCRIBED UNDER EU ELV DIRECTIVE & RoHS REGULATION.



주 기

- 제품기능상 유해한 BURR, 변형 및 WELDLINE 등이 없을 것.
- 적용 TERMINAL : ST730495, 496
- 적용 HOUSING : MG640329
적용 REAR HOLDER : MG630330
- 제품내 함유된 6대 유해물질 (납, 수은, 카드뮴, 6가크롬, PBBs, PBDEs)은 EU ELV 지침 및 RoHS 법규에서 지정한 최대 허용 농도를 초과해서는 안된다.

APPROVED
2017-08-10
KOREA ELECTRIC
TERMINAL CO., LTD.
Korea Electric Terminal Co., LTD.

ISSUE MARK

△5	도면 전산화에 따른 재작성	LMJ	MKNO	KKJ	'05.05.20	MATERIAL	SEE TABLE	KET KOREA ELECTRIC ENGINEERED TERMINAL CO., LTD.
△4	제품형상 개선에 따른 도면변경 3곳	WON	KKJ	JJH	'95.05.06	FINISH	SEE TABLE	
△3	시방(S000012) 근거 수정 (5곳)	WK	KKJ	JJH	'00.06.19	WIRE RANGE		CLASS
△2	LOCKING LEVER 두께 수정 (HMC 요청)	JIN	KKJ	JJH	'94.08.23	INSULATION		TYPE
△1	R/H 작업성 개선	JIN	KKJ	JJH	'93.01.18			7123-7434
LTR	REVISION RECORD	DR.	CHK.	APP.	DATE	TOLERANCE EXCEPT AS NOTED	SEE TABLE	SCALE
DR.	경	1991.10.11	CHK.					2/1
CHK.	J.W.KCC		APP.	Watanabe		PART NAME	SWP 3F HOUSING	
△6	도면 전산화에 따른 재작성	LMJ	MKNO	KKJ	'05.05.20			PART NO.
								MG610327

△7	ECO-1702-271 근거 도면 재작성	SY.L			'17.02.16
△6	도면 전산화에 따른 재작성	LMJ	MKNO	KKJ	'05.05.20