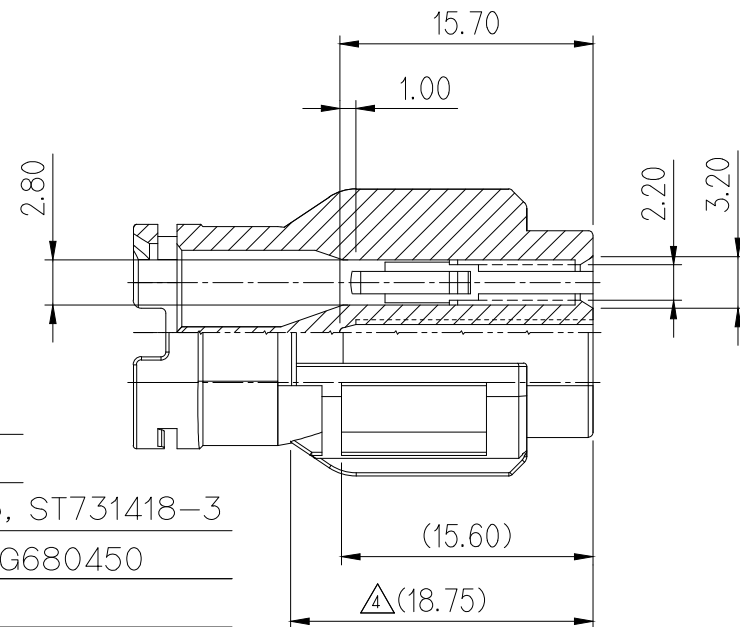
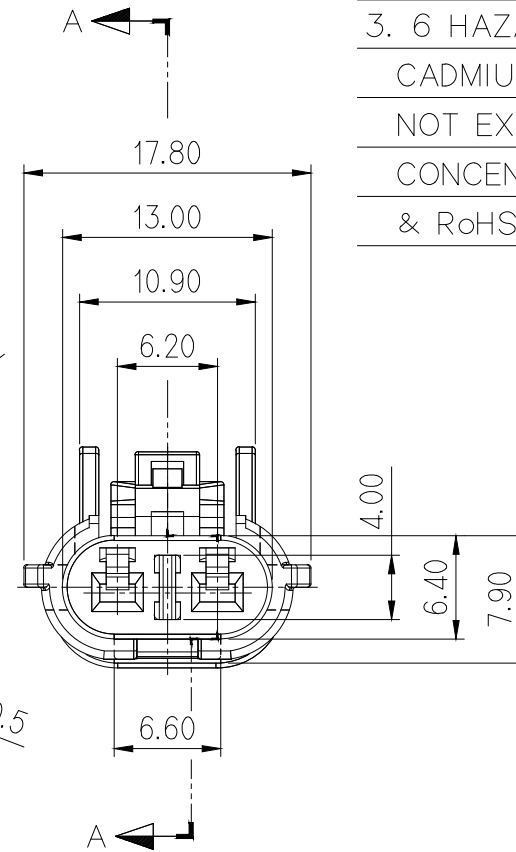
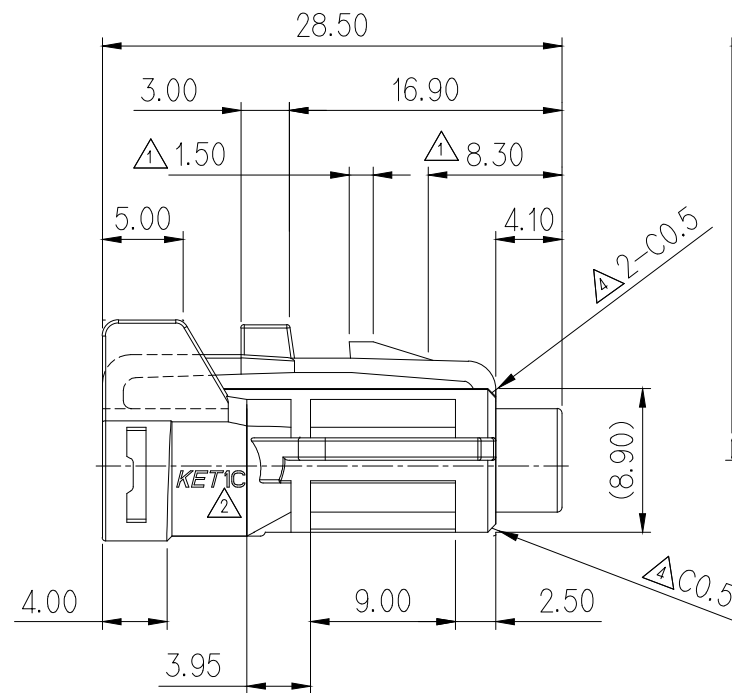
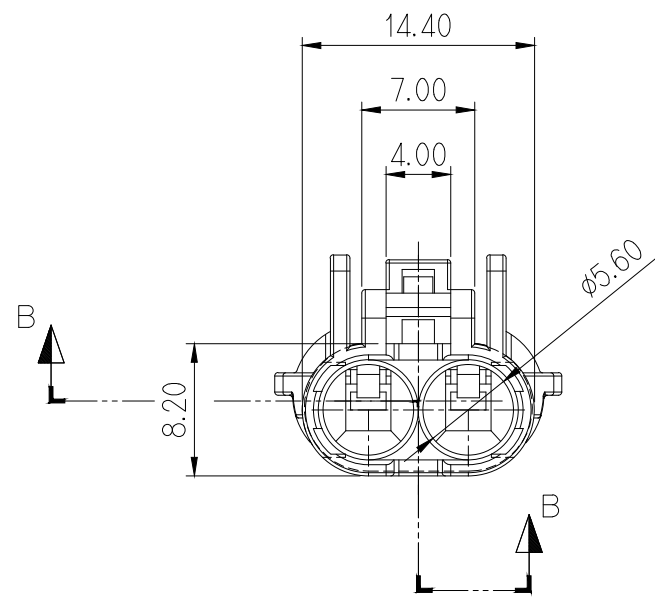
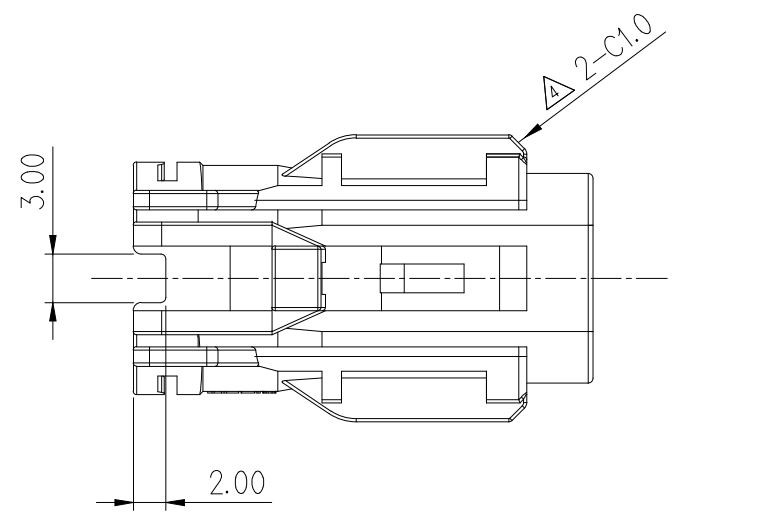


NO.	MATERIAL	COLOR
* 0	P B T	NATURAL
1		RED
2		BLUE
20		JADE
3		YELLOW
* 4		GRAY
40		DARK GRAY
41		LIGHT GRAY
* 5		BLACK
6		DARK GREEN
7		BROWN
8	LIGHT GREEN	
9	MAGENTA	
11	ORANGE	

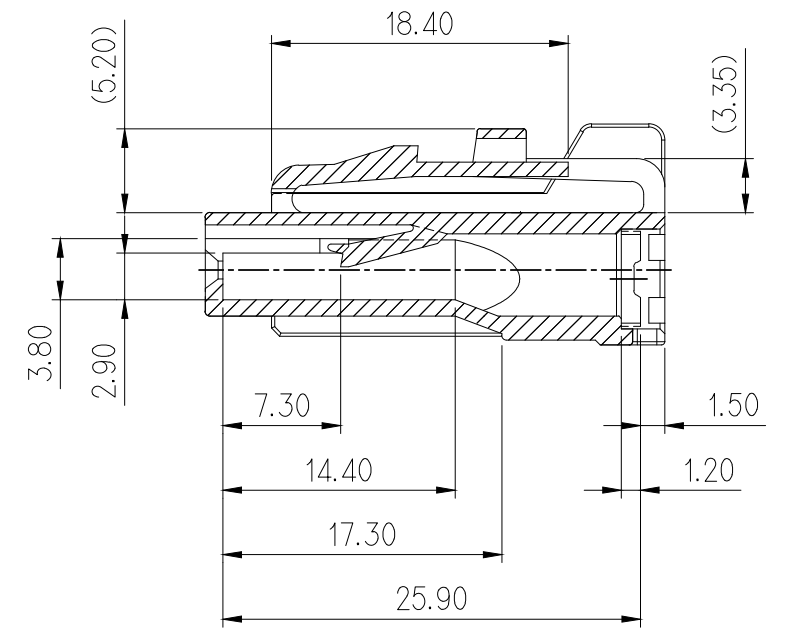


SECTION B-B

NOTE

- MUST BE FREE OF BURR, WELDLINE AND IMPERFECTION THAT AFFECT FUNCTION.
- APPLICABLE HOUSING : MG640322(7222-1424)  
APPLICABLE TERMINAL : ST730495-3, ST730496-3, ST731418-3  
APPLICABLE WIRE SEAL : MG680448, MG680449, MG680450, MG680451, MG685628  
APPLICABLE DUMMY SEAL : MG681266, MG680477
- 6 HAZARDOUS SUBSTANCES IN PARTS (LEAD, MERCURY, CADMIUM, HEXAVALENT CHROMIUM, PBBs, PBDEs) SHALL NOT EXCEED THE MAXIMUM PERMISSIBLE CONCENTRATION PRESCRIBED UNDER EU ELV DIRECTIVE & RoHS REGULATION.

GENERAL TOLERANCE (HOUSING)					USED ON
10MAX	20MAX	45MAX	ANGLE	ECCENT	
±0.2	±0.25	±0.3	±30'	0.1	



SECTION A-A

APPROVED

2020-12-10

KOREA ELECTRIC  
TERMINAL CO., LTD.  
Korea Electric Terminal Co., LTD.

ISSUE MARK

주 기

- 기능상 유해한 BURR 및 변형이 없을 것.
- 적용 HOUSING : MG640332(7222-1424)  
적용 TERMINAL : ST730495-3, ST730496-3, ST731418-3  
적용 WIRE SEAL : MG680448, MG680449, MG680450, MG680451, MG685628  
적용 DUMMY SEAL : MG681266, MG680477
- 제품내 함유된 6대 유해물질 (납, 수은, 카드뮴, 6가 크롬, PBBs, PBDEs)은 EU ELV 지침 및 RoHS 법규에서 지정한 최대 허용 농도를 초과해서는 안된다.

5	ECO-2011-341 근거 도면 재작성	KJH / HYJ	CJH	'20.11.26
4	ECO-1806-334 근거 도면 재작성	SY.L / HYJ	CJH	'18.06.25
3	ECO-1605-335 근거 도면 변경	KCS / CKY	LSY	'16.05.27
2	시방변경서(050098)의거 도면 변경	CJH	KKJ	'05.04.26
1	'02.11.22 회의록 근거 형합성 개선 위한 형상 변경	WON / KKJ	JJH	'02.11.22
LTR	REVISION RECORD	DR. / CHK.	APP.	DATE
DR.	KKJ 1991.11.28	CHK.		
CHK.		APP.	Watanabe 11.28	

MATERIAL	SEE TABLE		KOREA ELECTRIC TERMINAL CO., LTD.
FINISH	SEE TABLE		
WIRE RANGE	-	CLASS	070
INSULATION	-	TYPE	WP
TOLERANCE EXCEPT AS NOTED	SEE TABLE	SCALE	2/1
PART NAME	SWP 2F HOUSING		
PART NO.	MG610320		