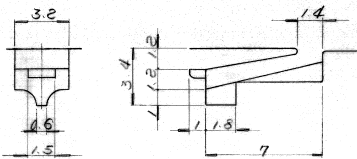
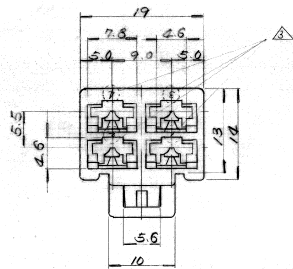


ESH# NUMBER
 H9 510047

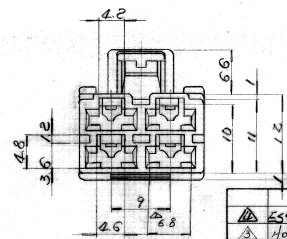
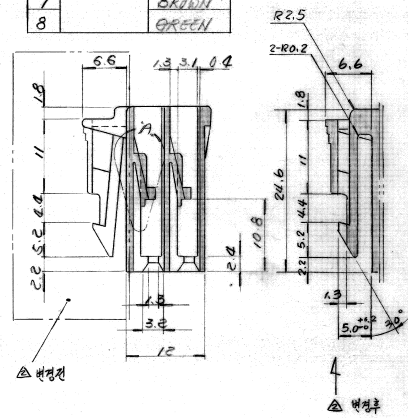
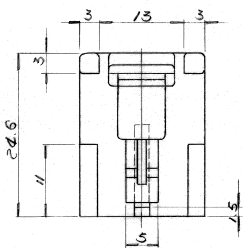
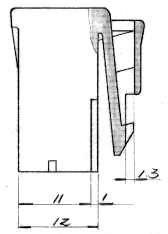
USED ON
 H9620046



A부 DETAIL 5/1



NO	MAT'L	COLOR
0		NATURAL
1		RED
2		BLUE
3	NYLON	YELLOW
4		GRAY
5		BLACK
6		WHITE GREEN
7		BROWN
8		GREEN



NOTE
 1) 제품 TNL 은 ST 230267 외동원 SERIES
 2) TNL 도장에는 8 kg-F 이상 표시
 3) 8 kg-F

CUSTOMER DRAWING

△ ES91101020 3번재 △ HOLE NO 4개 △ 절연병 (HSY COE 4P) △ 절연병 양부 인외부	DR: 09.3.9.99 CHK: J.W.Kim	DATE: 99.5.19 99.5.28 99.6.1 99.7.9	REV. MATERIAL SEE TABLE	KET ENGINEER	KOREA ELECTRIC TERMINAL CO. LTD.
			REV. FINISH SEE TABLE		
LTR: # 9 REVISION RECORD:	DR:	DATE:	REV. INSULATION DIA:	REV. TYPE: 1123-2345	H9 510047
DR: 09.3.9.99 CHK: J.W.Kim	DR:	DATE:	REV. TOLERANCE EXCEPT AS NOTED: ±0.3	REV. (NO):	
DESIGNED NAME:			250 PLUS HS 4P		

ESH: DIMENSIONS IN MM