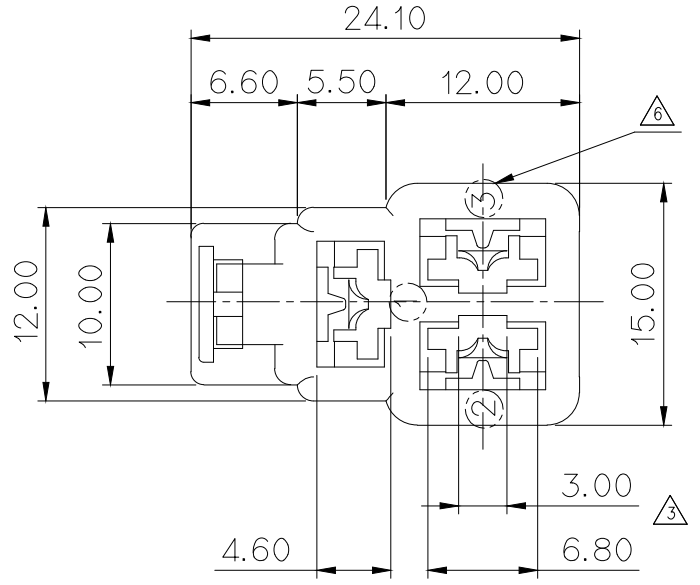
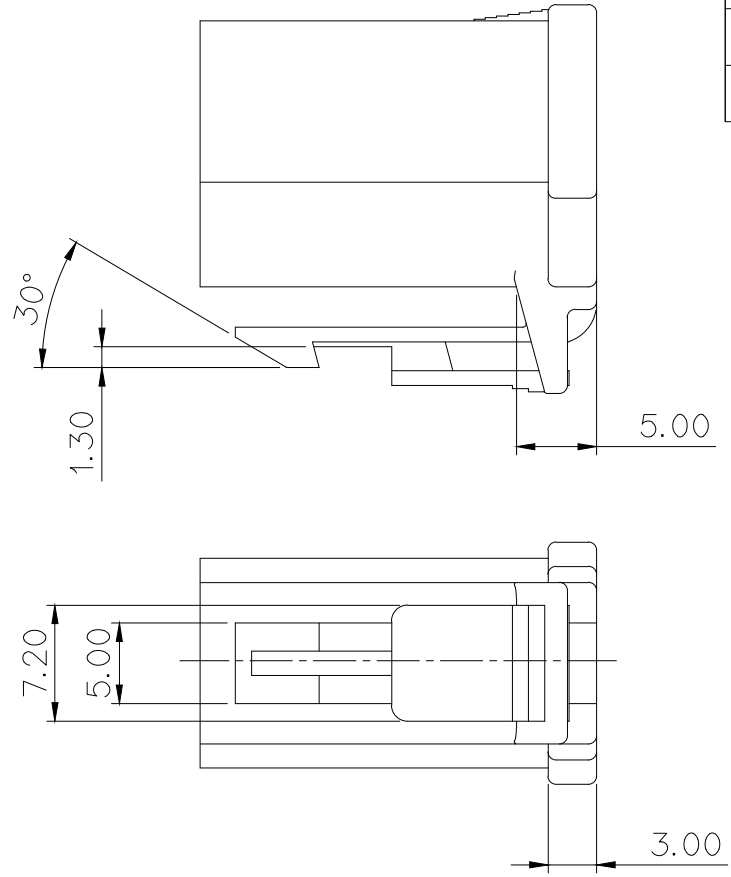
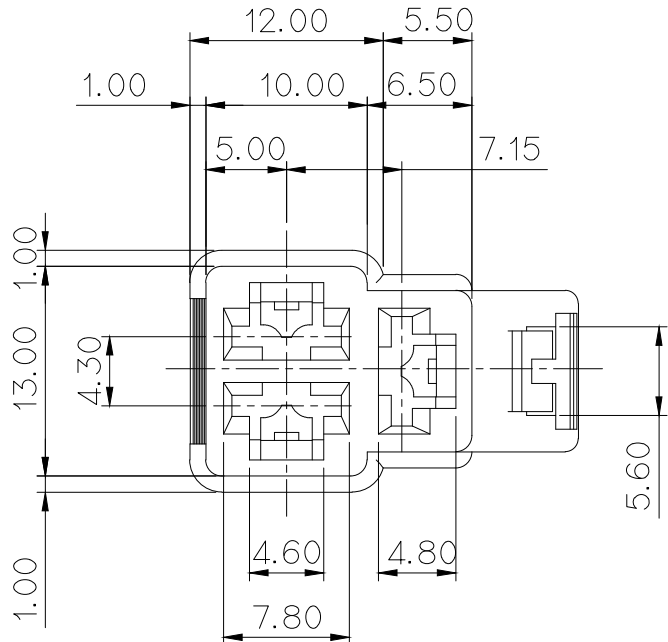
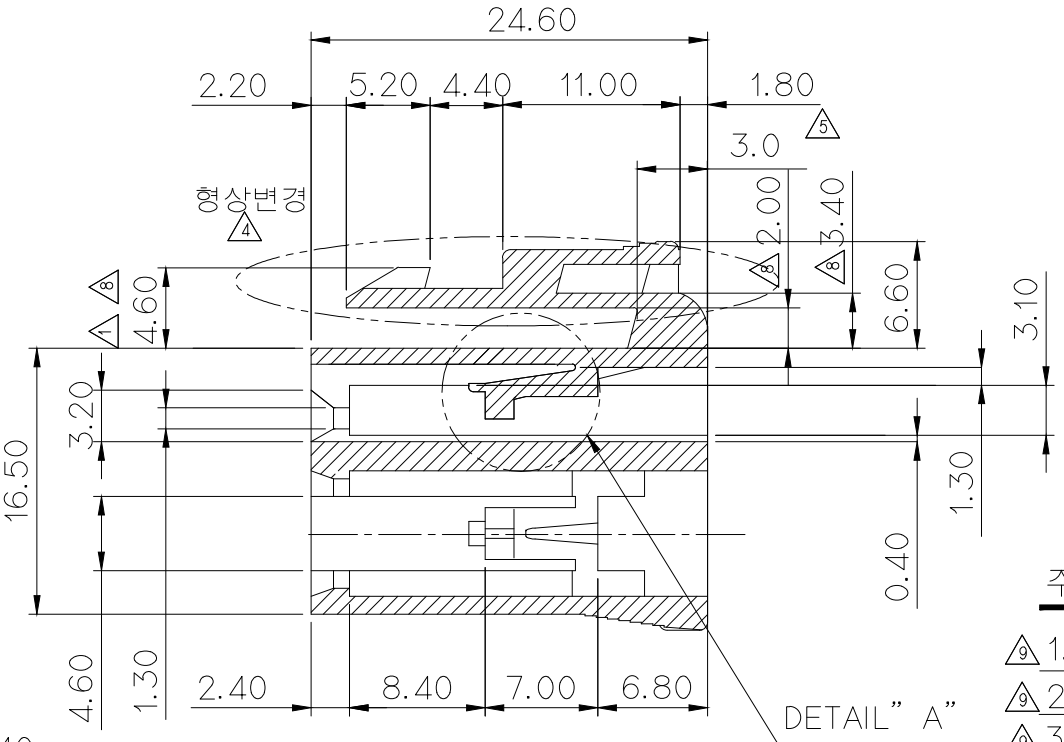


GENERAL TOLERANCE (HOUSING)									USED ON
10MAX	30MAX	50MAX	70MAX	100MAX	120MAX	250MAX	250VR	ANGLE	
±0.15	±0.20	±0.30	±0.40	±0.50	±0.75	±0.9	±1.4	±30'	



NO.	MATERIAL	COLOR
0		NATURAL
1		RED
2	△7 NYLON	BLUE
3	<MG610045>	YELLOW
4		GRAY
5	△8 PBT	BLACK
6	<MG612026>	W/GREEN
7		BROWN
8		GREEN



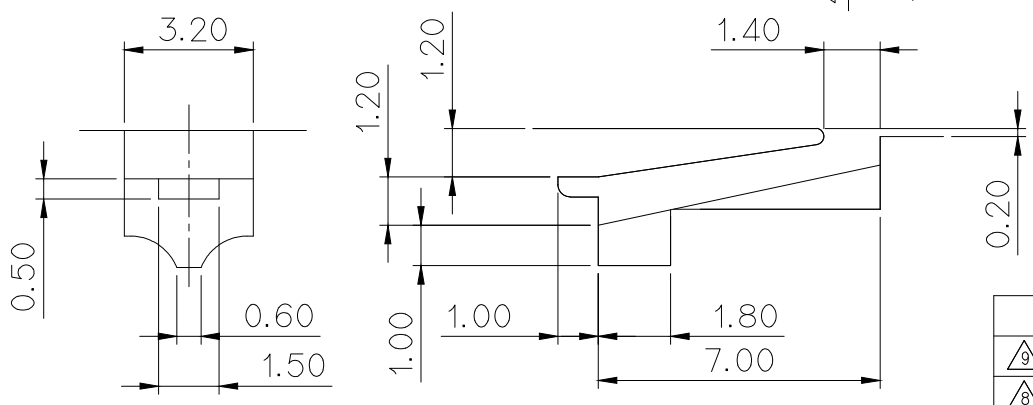
NOTE

- △9 1. MUST BE FREE OF BURR, WELDLINE AND IMPERFECTION THAT AFFECT FUNCTION.
- △9 2. APPLICABLE TERMINAL :ST730267, 730268, 730269, 731420
- △9 3. 6 HAZARDOUS SUBSTANCES IN PARTS (LEAD, MERCURY, CADMIUM, HEXAVALENT CHROMIUM, PBDEs) SHALL NOT EXCEED THE MAXIMUM PERMISSIBLE CONCENTRATION PRESCRIBED UNDER EU ELV DIRECTIVE.

주 기

- △9 1.기능상 유해한 BURR 및 WELDLINE등이 없을 것.
- △9 2.적용 TERMINAL: ST730267, 730268, 730269, 731420
- △9 3.제품내 함유된 6대 유해물질 (납, 수은, 카드뮴, 6가 크롬, PBBs, PBDEs)은 EU ELV 지침 및 RoHS 법규에서 지정한 최대 허용 농도를 초과해서는 안된다.

APPROVED
 2017-08-10
 KOREA ELECTRIC TERMINAL CO., LTD.
 Korea Electric Terminal Co., LTD.



DETAIL "A"
(S=5/1)

NO.	REVISION	DATE	BY	CHK.	APP.
△9	ECO-1606-244근거 도면 재작성 (강소형 터미널 사양 추가)	"16.06.21	KIN	SSH	KKJ
△8	시방변경990073근거 수정(2곳)	990531	IN		SUK
△7	원재료 및 P/NO. 추가	990507	IN	BOG	JJH
△6	HOLE NO. 삽입	970528	KO		KKJ

NO.	REVISION	DATE	BY	CHK.	APP.
△9	치수변경(현품기준)	910611	SIK		
△4	형상변경 (HS'G LOCK부)	900705	JJH		
△3	형상변경 입구부 면취 추가	900219	HAN		
△2	COLOR TABLE 추가	861008	BOG	KCC	
△1	치수변경(현품관리)	860404	KO	KCC	

MATERIAL	SEE TABLE
FINISH	SEE TABLE
WIRE RANGE	CLASS
INSULATION	TYPE HS'G LOCKING
TOLERANCE EXCEPT AS NOTED	±0.3
SCALE	2/1
PART NO.	MG 610045 △ MG 612026
PART NAME	.250 PLUG HS'G 3P

ISSUE MARK