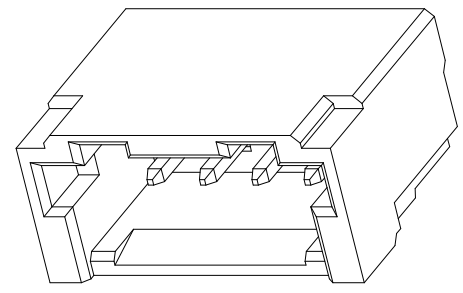
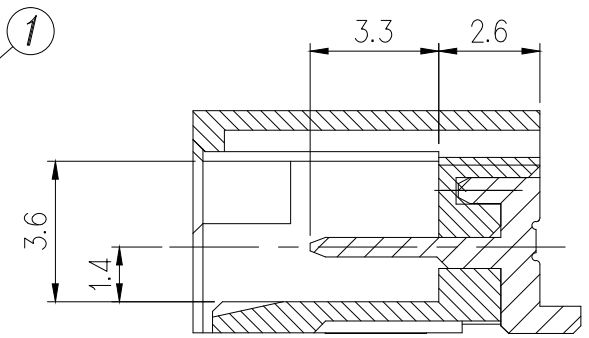


GENERAL TOLERANCE (HOUSING)							USED ON
10MAX	50MAX	100MAX	250MAX	250VR	ANGLE	ECCENT	
±0.2	±0.3	±0.55	±0.95	±1.4	±30'	0.1	

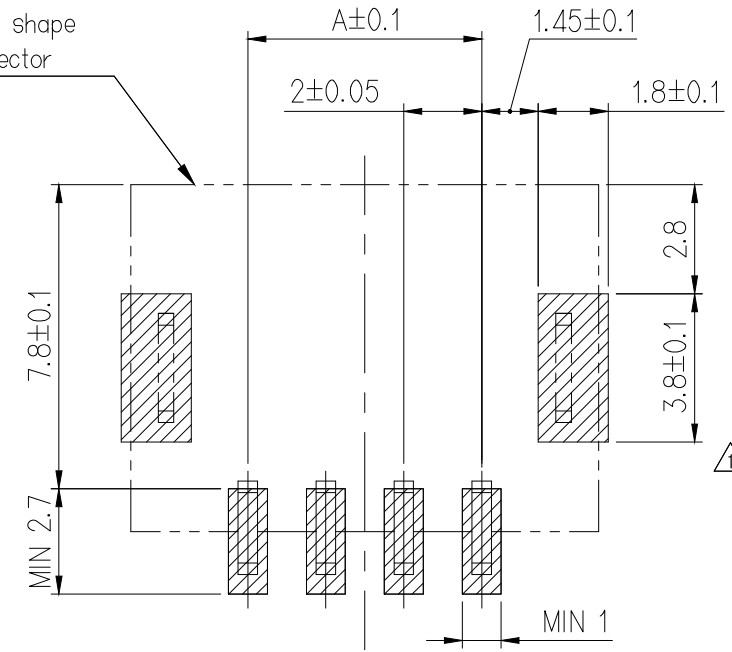


< ISO VIEW >

External shape of connector



Section A-A



Recommendable P.C.B layout

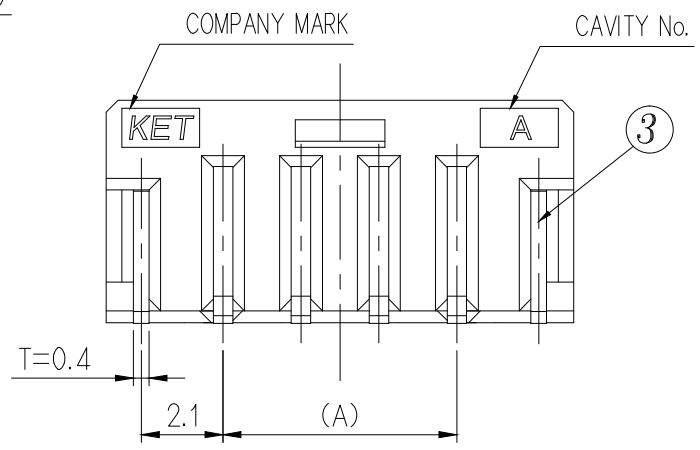
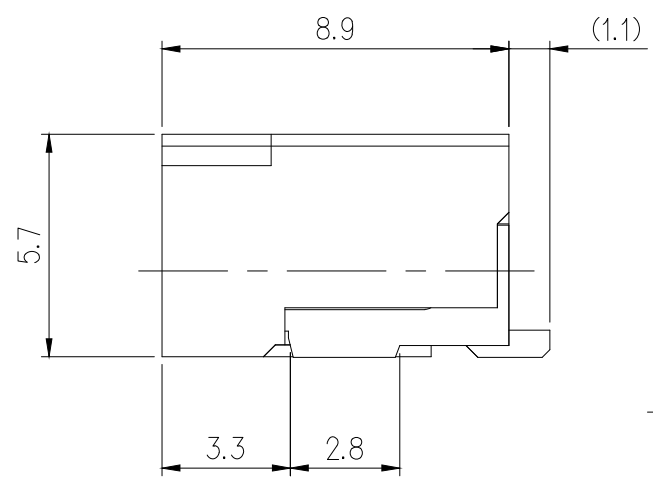
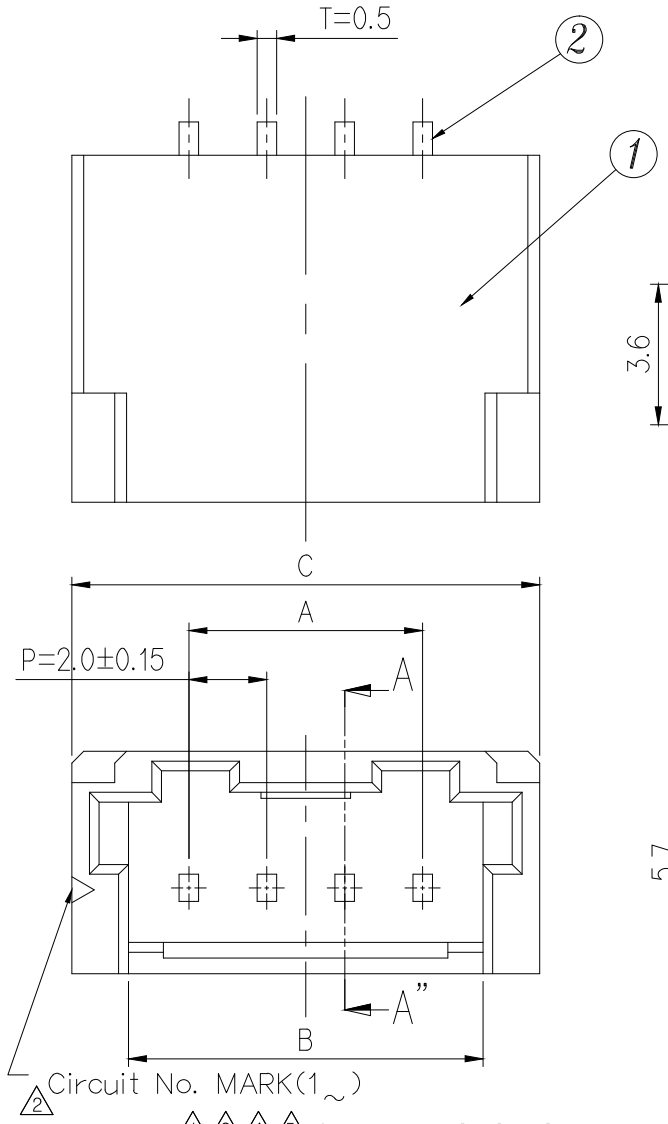
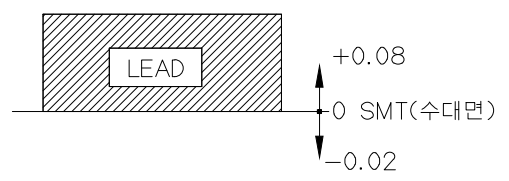
주 기

1. 기능상 유해한 BURR 및 WELDLINE 등이 없을 것.
2. 제품 내 함유된 10대 유해물질 (Pb, Hg, Cd, Cr+6, PBBs, PBDEs, DEHP, DBP, BBP, DIBP)은 EU ELV 지침 및 RoHS 법규에서 지정한 최대 허용 농도를 초과해서는 안된다.
3. 포장사양 : EMBOSS TAPE
4. ES91500-03 / E91500-02 / MS201-02 SPEC.에 준할 것.

NOTE

1. MUST BE FREE OF BURR, WELDLINE AND IMPERFECTION THAT AFFECT FUNTION.
2. 10 HAZARDOUS SUBSTANCES IN PARTS (Pb, Hg, Cd, Cr+6, PBBs, PBDEs, DEHP, DBP, BBP, DIBP) SHALL NOT EXCEED THE MAXIMUM PERMISSIBLE CONCENTRATION PRESCRIBED UNDER EU ELV DIRECTIVE & RoHS REGULATION
3. PACKAGE : EMBOSS TAPE
4. MUST BE SATISFIED WITH ES91500-03 / E91500-02 / MS201-02 SPEC

* LEAD 평탄도 관리 치수 (COPLANARITY OF SOLDER TAILS)



△ 1 3 4 5 * AVAILABLE CIRCUITS

Circuits (N)	Part No.	Color(**)					Dimension			Remark
		Natural	Blue	Yellow	Black	Brown	A	B	C	
2	Sn K500024-**	02	2	3	5	-	2.0	5.1	8.0	-
	Au MG645959-*	Blank								
3	Sn K500025-**	03	2	3	5	-	4.0	7.1	10.0	-
	Au MG645960-*	Blank								
4	Sn K500026-**	04	2	3	5	-	6.0	9.1	12.0	-
	Au MG645899-*	Blank								
5	Sn MG646220-*	Blank	2	-	5	-	8.0	11.1	14.0	Key code
	Au MG646239-*									
	Sn MG646467-*									
	Au MG646457-*									
6	Sn K500027-**	06	2	3	5	-	10.0	13.1	16.0	-
	Au MG645961-*	Blank								
7	Sn MG646235-*	Blank	2	-	5	-	12.0	15.1	18.0	-
	Au MG646240-*									
	Au MG646494-*	-	-	-	5	-				
8	Sn MG646236-*	Blank	2	-	5	-	14.0	17.1	20.0	-
	Au MG646241-*									
9	Sn MG646237-*	Blank	2	-	5	-	16.0	19.1	22.0	-
	Au MG646242-*									
10	Sn MG646238-*	Blank	2	-	5	-	18.0	21.1	24.0	-
	Au MG646243-*									

No.	Part Name	Material	Color	Finish	Q'ty	Remark
3	METAL FITTING	COPPER ALLOY(t=0.4)	-	Ni+Sn	2	
2	CONTACT	COPPER ALLOY(t=0.5)	-	Ni+Sn / Ni+Au	N	
1	HOUSING	NYLON	SEE TABLE	-	1	
5	7P HZT Au 신규 품번 추가	LKN YSW	SSH		21.08.13	MATERIAL SEE TABLE
4	5P HZT Sn KEY CODE 추가	LKN YSW	SSH		20.11.27	FINISH SEE TABLE
3	5P HZT Au KEY CODE 추가	LKN YSW	SSH		20.09.11	WIRE RANGE
2	Circuit No. Mark 추가	LKN	SSH		19.06.24	INSULATION
1	품번 추가 및 Note 변경	LKN	SSH		19.05.16	SCALE 5/1
LTR REVISION RECORD		DR.	CHK.	APP.	DATE	TOLERANCE EXCEPT AS NOTED SEE TABLE
DR. HC.KWON 2012.03.14		CHK. YJ.JO 2012.03.14		APP. WC.BAEK 2012.03.14		PART NO. SEE TABLE
CHK.						PART NAME 2.0mm Wire to Board WAFER ASSY HZT

2021.10.22

APPROVED

KOREA ELECTRIC TERMINAL CO., LTD.

ISSUE MARK

KET ENGINEERED KOREA ELECTRIC TERMINAL CO., LTD.

CLASS Wire to Board Connector

TYPE 2.0mm Pitch SMD

PART NO. SEE TABLE